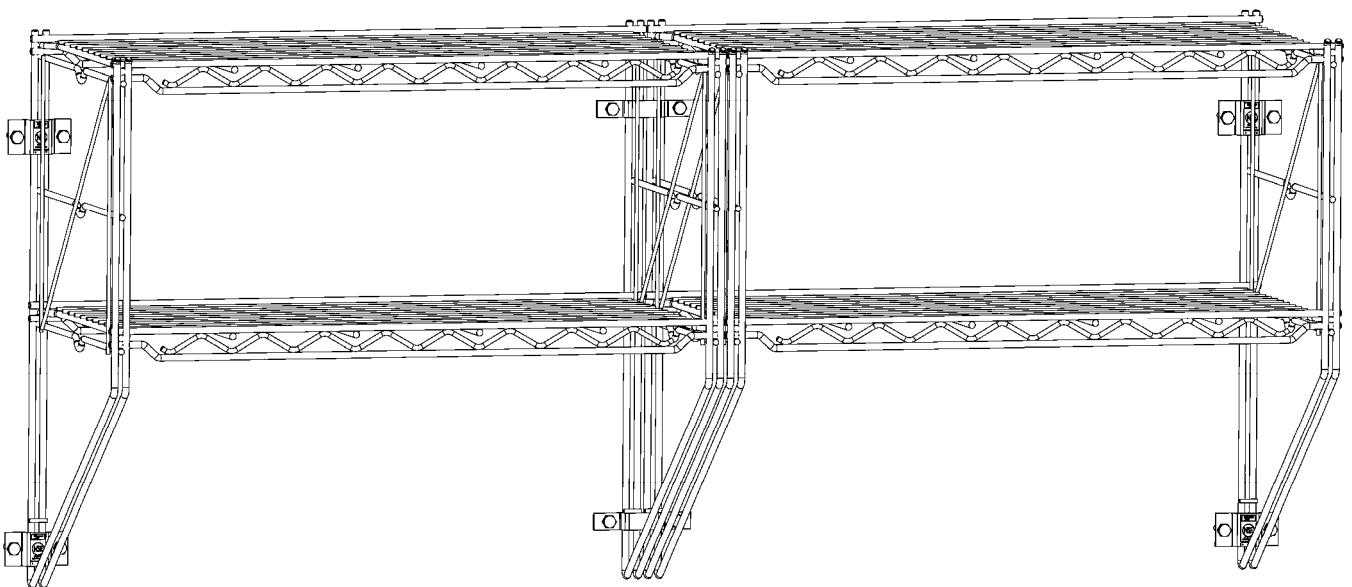


**SINGLE SECTION UNIT**



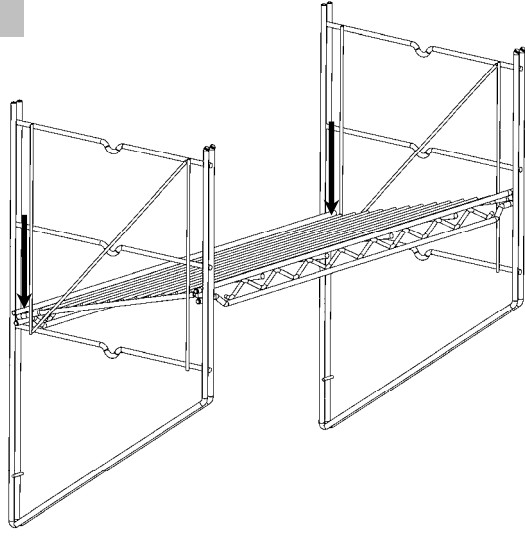
**MULTI SECTION UNIT**

Assembly Instructions: SINGLE SECTION UNIT

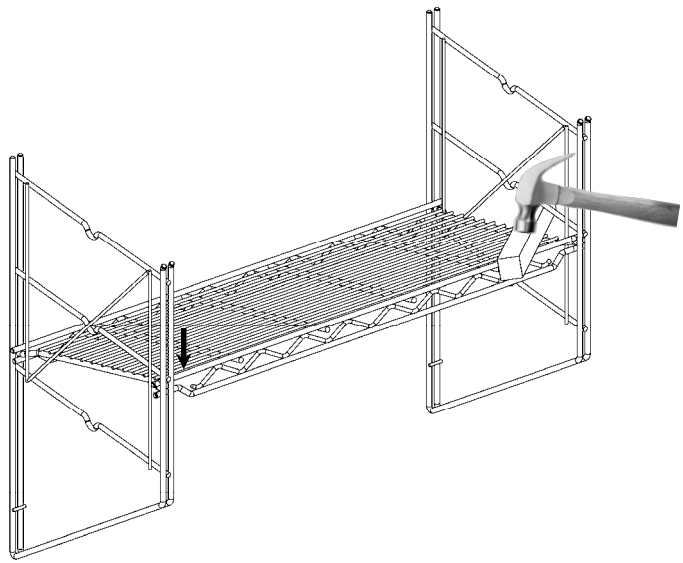
(Two People Required to Assemble and Mount a Single Section Unit)



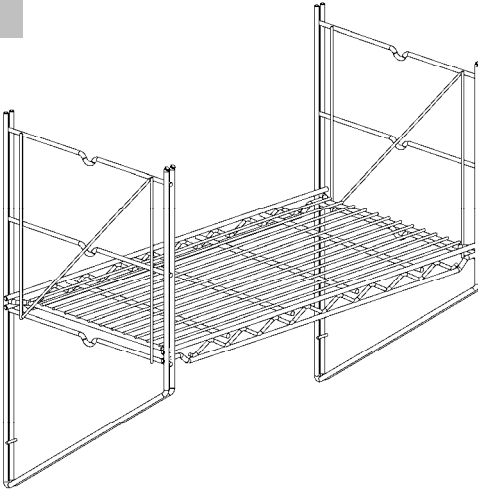
**1**



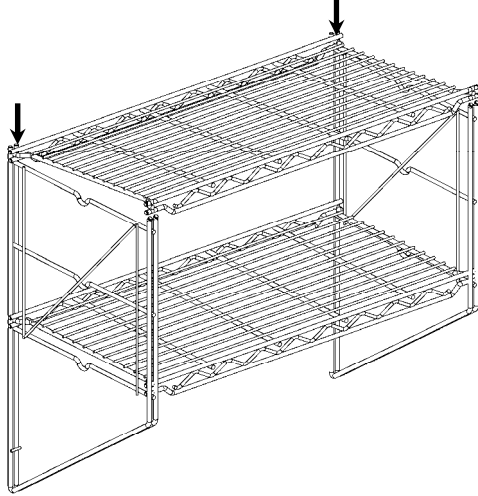
**2**



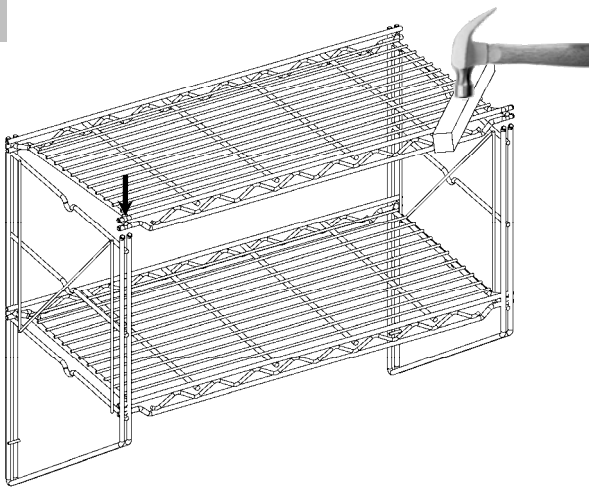
**3**



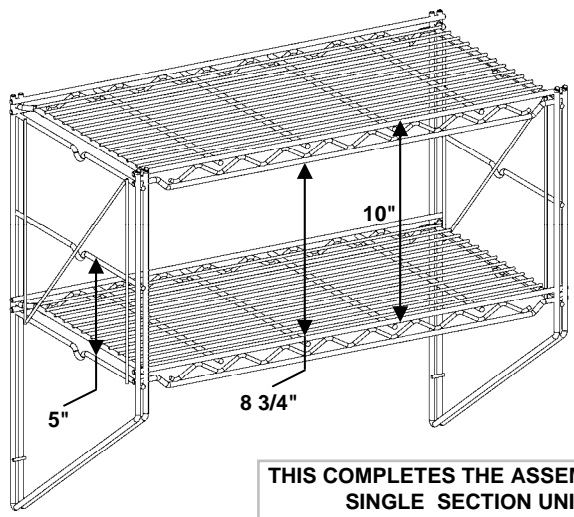
**4**



**5**

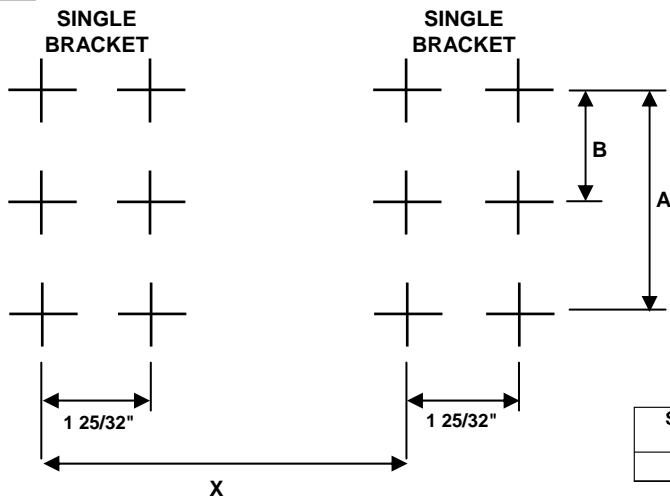


**6**



THIS COMPLETES THE ASSEMBLY OF SINGLE SECTION UNIT

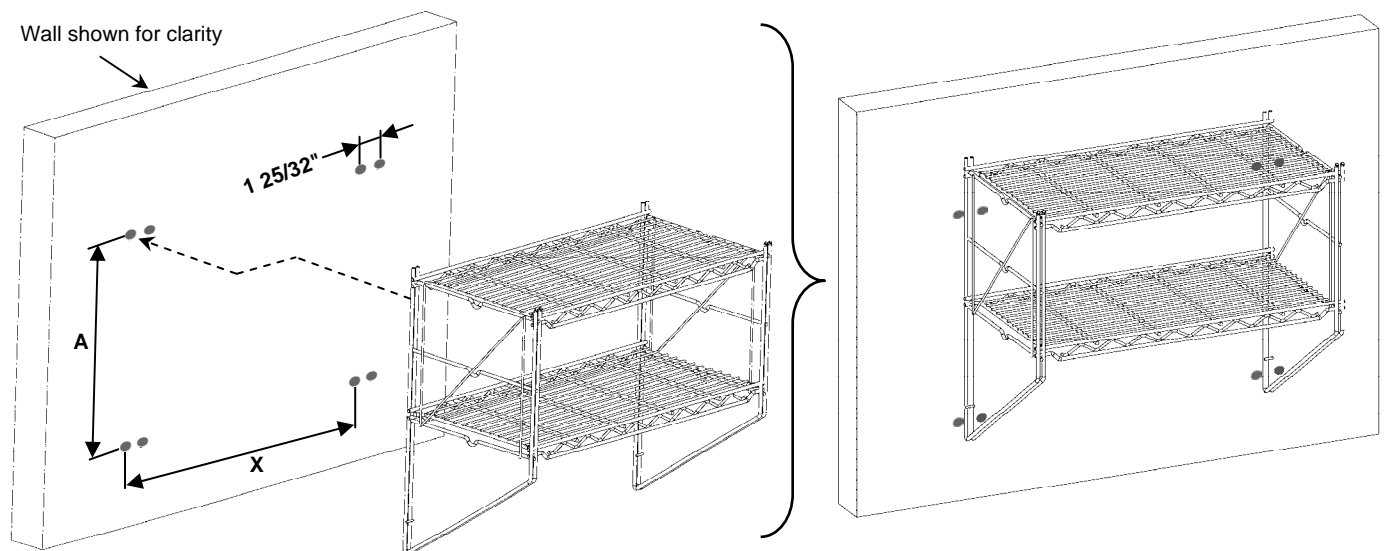
### 7 Mounting Hole Location Diagram



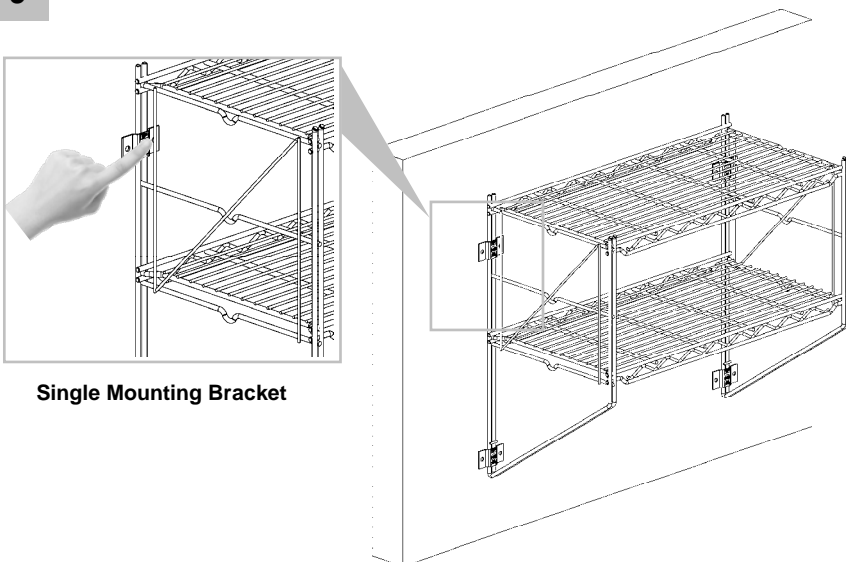
Number of Tiers	A	B
1	6 <sup>5</sup> / <sub>8</sub>	-
3	15 <sup>13</sup> / <sub>16</sub>	-
5	25 <sup>3</sup> / <sub>8</sub>	11 <sup>1</sup> / <sub>4</sub>

Shelf Size	24	30	36	42	48	60
X	22 <sup>29</sup> / <sub>32</sub>	28 <sup>29</sup> / <sub>32</sub>	34 <sup>29</sup> / <sub>32</sub>	40 <sup>29</sup> / <sub>32</sub>	46 <sup>29</sup> / <sub>32</sub>	58 <sup>29</sup> / <sub>32</sub>

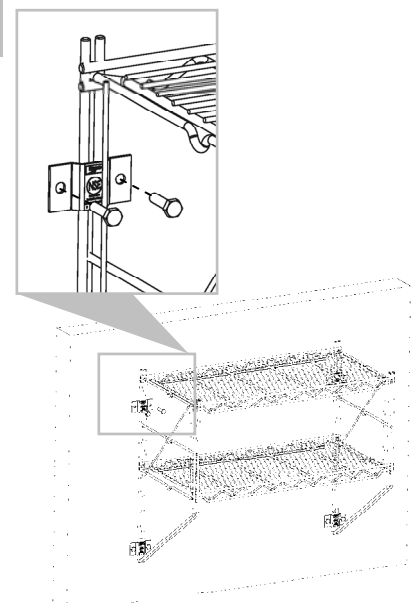
### 8 Mark the Mounting Holes and Position the Shelf



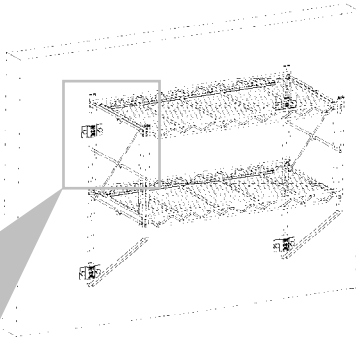
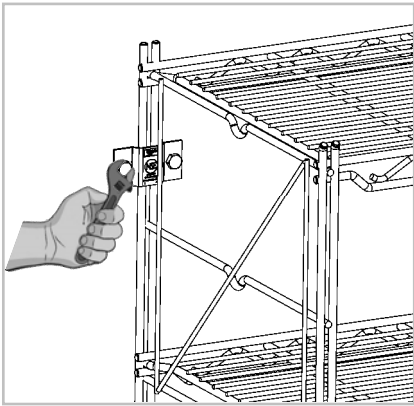
### 9



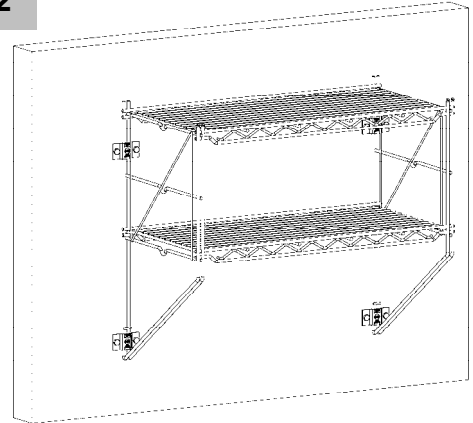
### 10



11



12



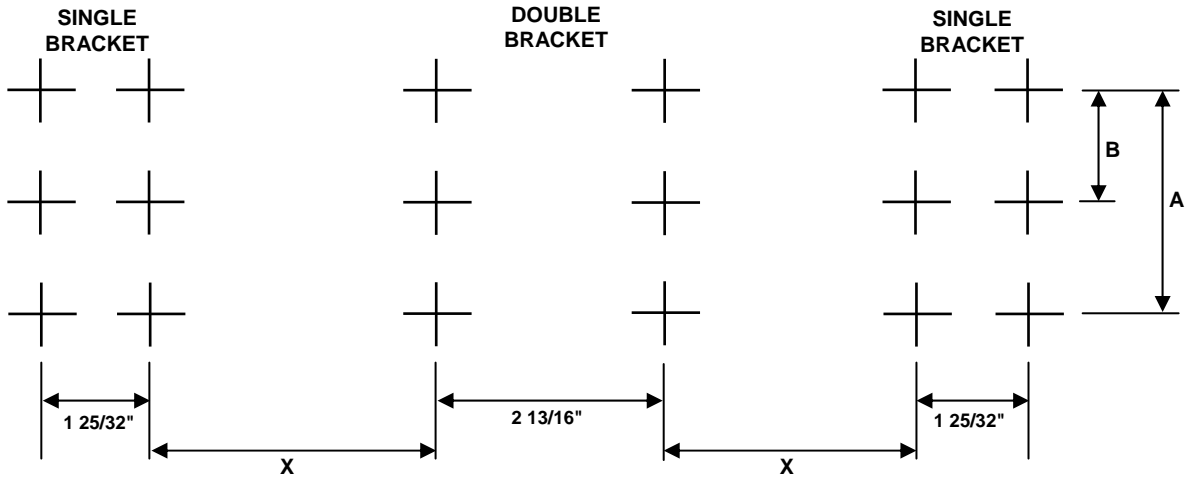
**THIS COMPLETES THE MOUNTING OF SINGLE SECTION UNIT**

Assembly Instructions: MULTI SECTION UNIT

(Three People Required to Assemble and Mount a Multi Section Unit)



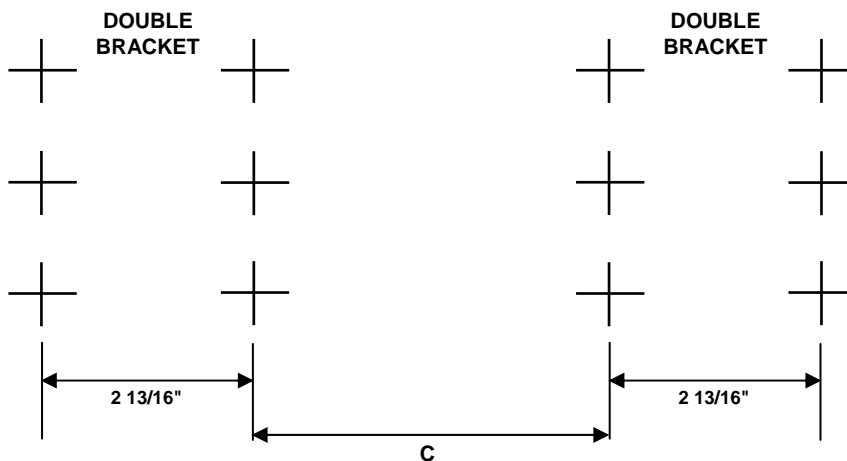
**1** Mounting Hole Location Diagram



Number of Tiers	A	B
1	$6\frac{5}{8}$	-
3	$15\frac{13}{16}$	-
5	$25\frac{3}{8}$	$11\frac{1}{4}$

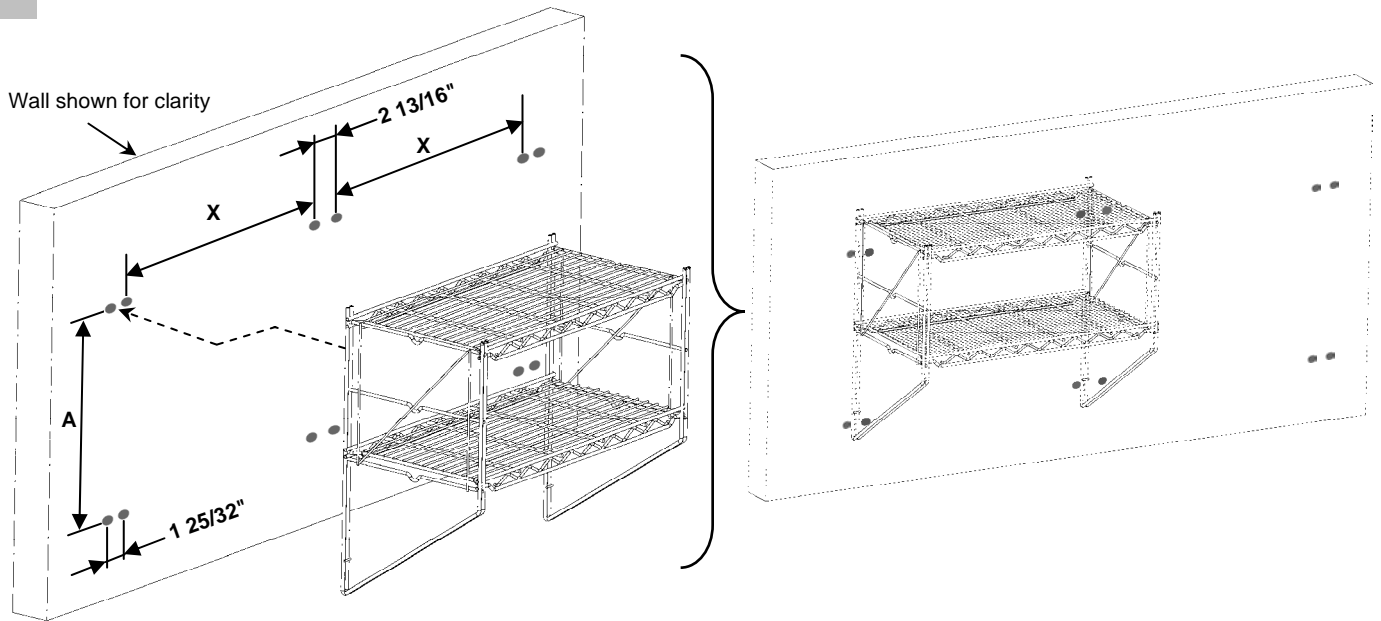
Shelf Size	24	30	36	42	48	60
X	$21\frac{1}{32}$	$27\frac{1}{32}$	$33\frac{1}{32}$	$39\frac{1}{32}$	$45\frac{1}{32}$	$57\frac{1}{32}$

**1-1** Additional Shelves Mounting Hole Location Diagram

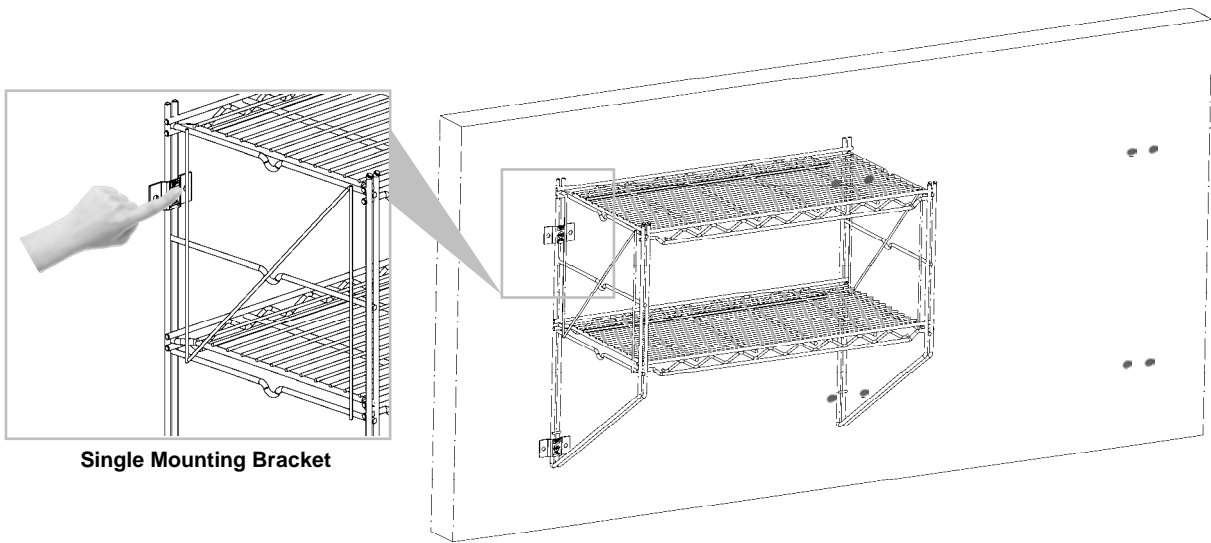


Shelf Size	24	30	36	42	48	60
C	$20\frac{15}{16}$	$26\frac{15}{16}$	$32\frac{15}{16}$	$38\frac{15}{16}$	$44\frac{15}{16}$	$56\frac{15}{16}$

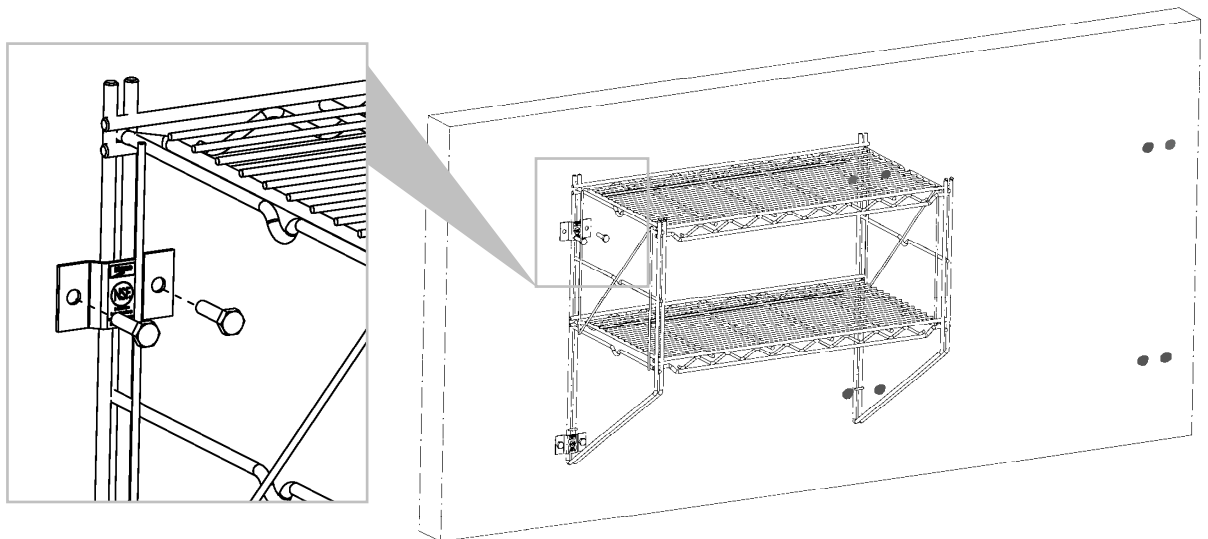
**2** Mark Mounting Holes and Position the Shelf



**3**

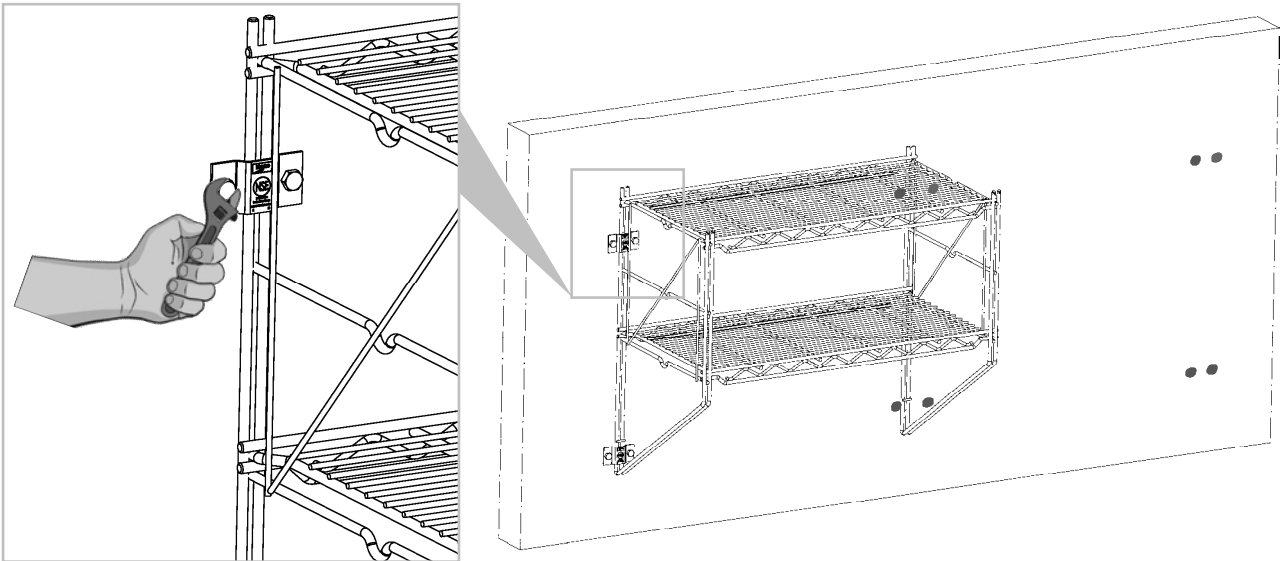


**4**

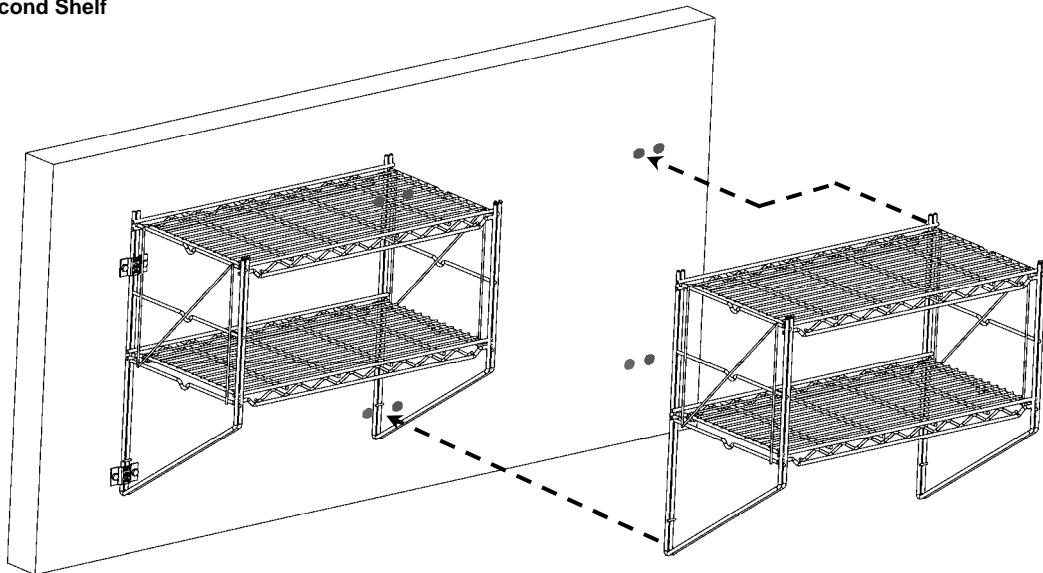




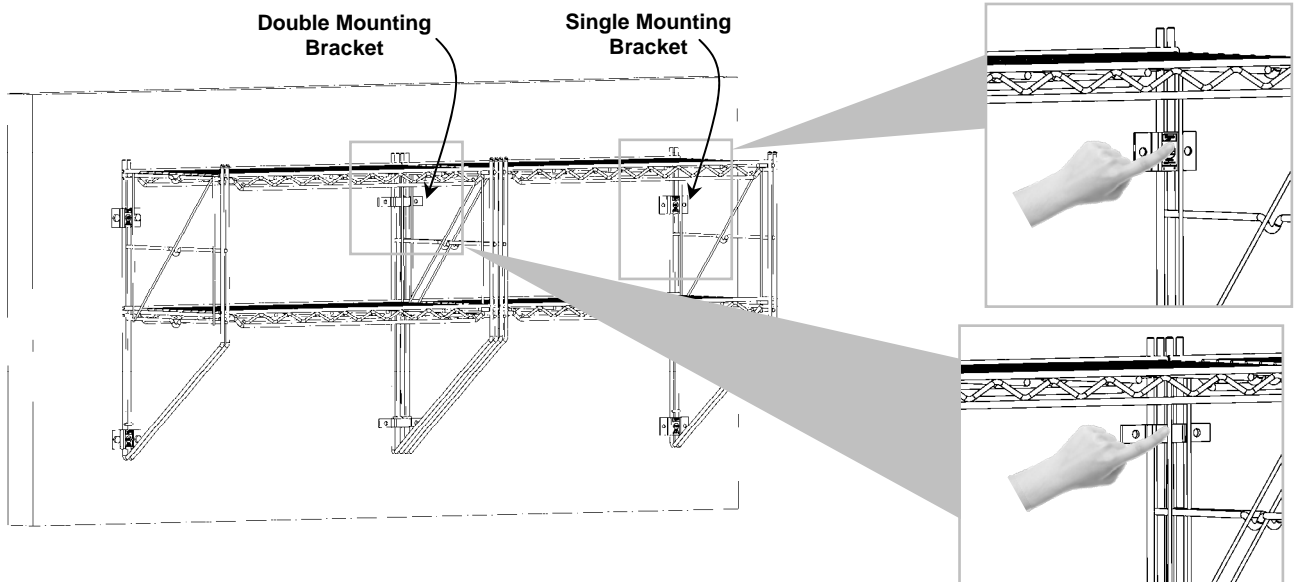
5



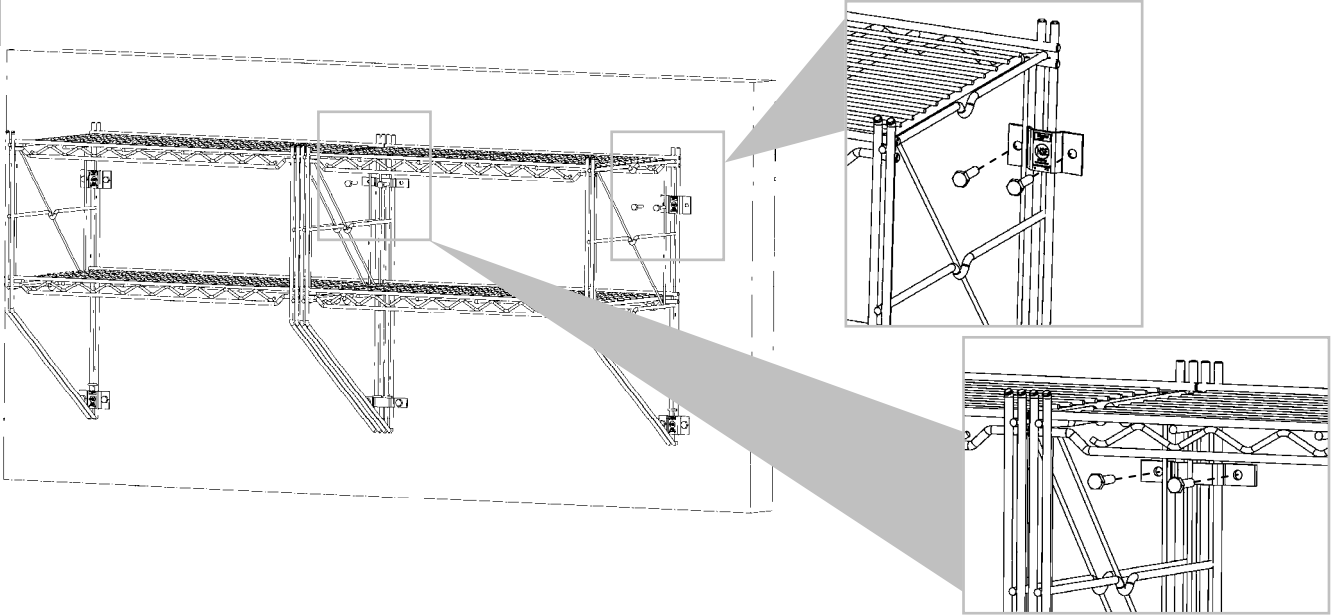
6 Position the Second Shelf



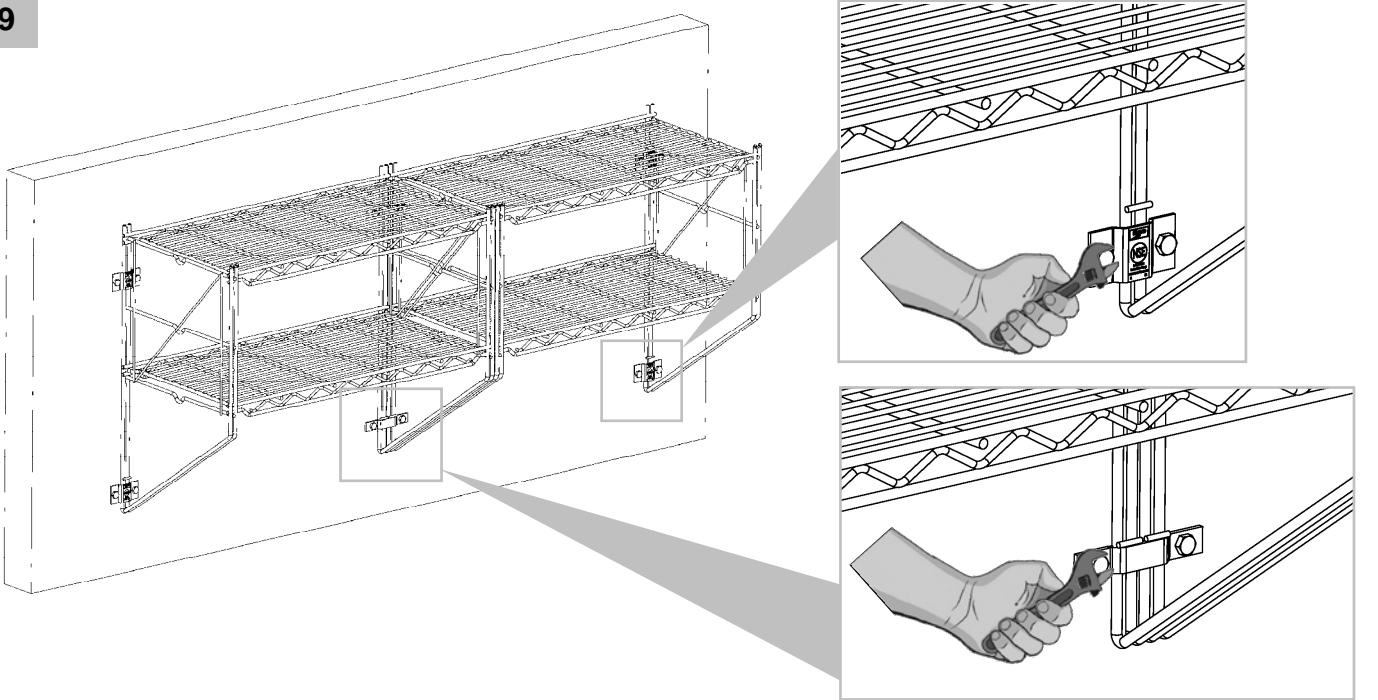
7



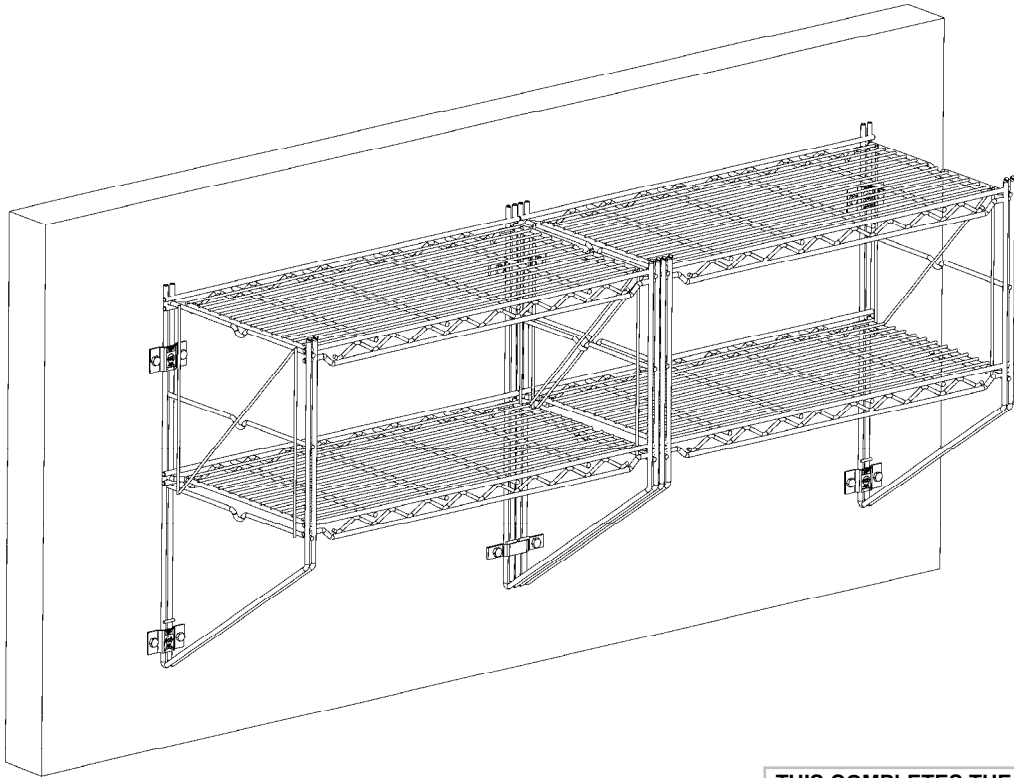
8



9







**THIS COMPLETES THE MOUNTING OF  
MULTI SECTION UNIT**