

# SAFEWAYS

**APPROVED**  
Shelving Systems

# SEISMIC **APPROVED** SHELVING SYSTEMS

Approved  
Fixed Equipment  
Anchorage  
California Office  
of Statewide  
Health Planning  
and  
Development  
OPA-0556

Super Erecta® (SES), Super Adjustable Super Erecta 2™ (SASE),  
qwikSlot™ (QS), HD Super (HD), MetroMax Q® (Q)

## OSHPD Preapproved Bolt Plate Kits:

For 1" diameter SES, SASE, and QS stationary post assemblies. Kit includes plate assemblies and hardware to mount plates to posts. Floor anchors are not included.

Part Number	Description	Qty.	Dimensions W x L x H	
			in.	mm
SASES25BP-1	One-post bolt plate, 1/4"	4	27 <sup>7</sup> / <sub>8</sub> x 7 x 1/4	73 x 178 x 6
SASES25BP-2	Two-post bolt plate, 1/4"	2	27 <sup>7</sup> / <sub>8</sub> x 11 x 1/4	73 x 279 x 6
SASES25BP-4	Four-post bolt, plate, 1/4"	1	11 x 11 x 1/4	279 x 279 x 6
SASES50BP-1	One-post bolt plate, 1/2"	4	7 x 7 x 1/2	178 x 178 x 13
SASES50BP-2	Two-post bolt plate, 1/2"	2	7 x 12 x 1/2	178 x 305 x 13
SASES50BP-4	Four-post bolt plate, 1/2"	1	12 x 12 x 1/2	305 x 305 x 13

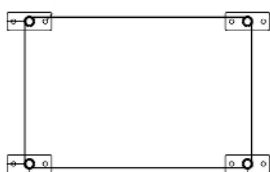
For 1.5" diameter HD and trilobal Q stationary post assemblies. Kit includes plates and hardware to mount plates to posts. Floor anchors are not included.

Part Number	Description	Qty.	Dimensions W x L x H	
			in.	mm
SAQHD25BP-1	One-post bolt plate, 1/4"	4	27 <sup>7</sup> / <sub>8</sub> x 7 x 1/4	73 x 178 x 6
SAQHD25BP-2	Two-post bolt plate, 1/4"	2	27 <sup>7</sup> / <sub>8</sub> x 11 x 1/4	73 x 279 x 6
SAQHD25BP-4	Four-post bolt plate, 1/4"	1	11 x 11 x 1/4	279 x 279 x 6
SAQHD50BP-1	One-post bolt plate, 1/2"	4	7 x 7 x 1/2	178 x 178 x 13
SAQHD50BP-2	Two-post, 1/2" bolt plate	2	7 x 12 x 1/2	178 x 305 x 13
SAQHD50BP-4	Four-post, 1/2" bolt plate	1	12 x 12 x 1/2	305 x 305 x 13

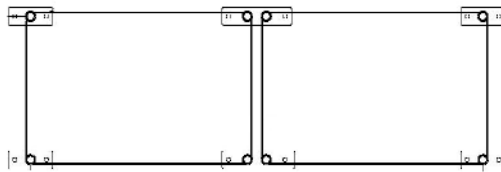
## Required Components:

To meet requirements for preapproval, simply add floor bolt-plates to standard Metro stationary shelving configurations and follow the installation and usage guidelines.

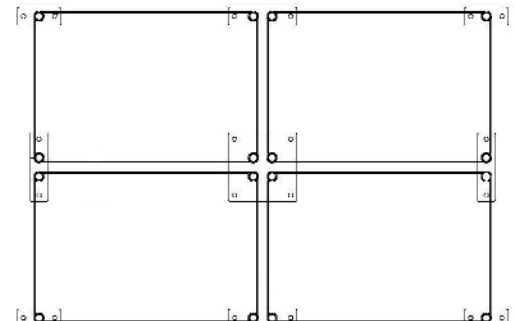
*Just  
add  
floor  
plates*



A



B



C

**Example A** requires one 1-post starter kit, (ie. SASES25BP-1).

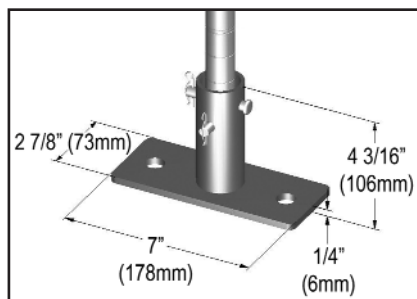
**Example B** requires one 1-post starter kit, (ie. SASES25BP-1) and one 2-post adder kit, (ie. SASES25BP-2).

Include one additional adder kit for each subsequent shelving unit added to the run.

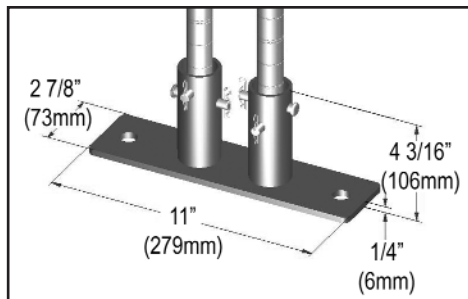
**Example C** requires one 1-post starter kit, (ie. SASES25BP-1), two 2-post adder kits (ie. SASES25BP-2), and one 4-post adder kit, (ie. SASES25BP-4). Include one of each adder kit, (ie. one 2-post kit and one 4-post kit), for each additional pair of shelving units.

TIM CAMPBELL 800-400-7500

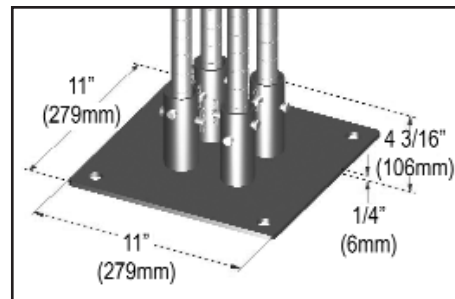
*Super Adjustable Super Erecta™, Super Erecta®, qwik SLOT™*



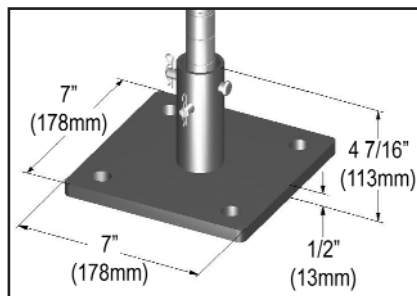
SASES25BP-1



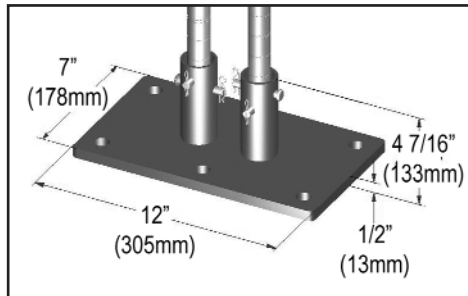
SASES25BP-2



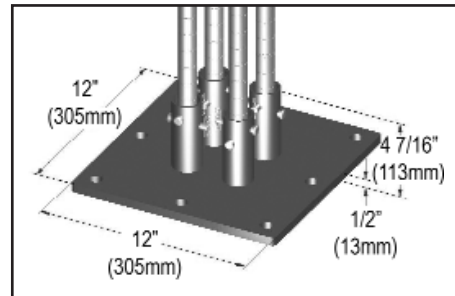
SASES25BP-4



SASES50BP-1

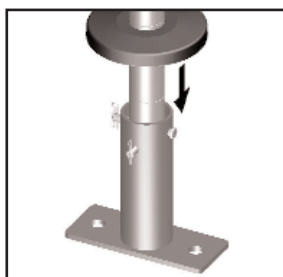


SASES50BP-2



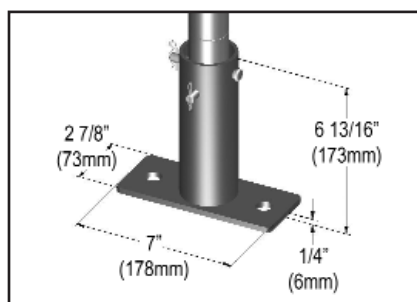
SASES50BP-4

*It is recommended that a donut bumper be specified to cover any spaces between the post and the bolt plate anchor pipe. Specify the donut bumper to match the post type.*

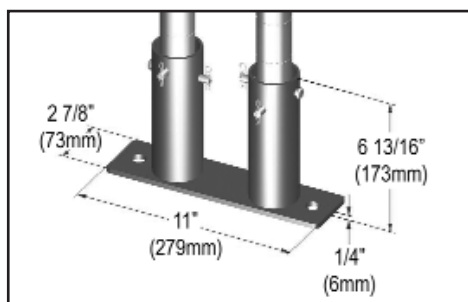


SES, SASE, QS = 9992DB  
 SES HD = 9992H  
 MetroMax Q = 9992DBX

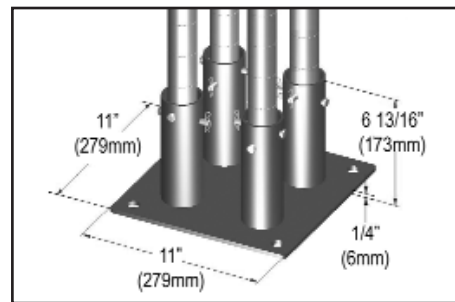
*MetroMax Q®/HD Super*



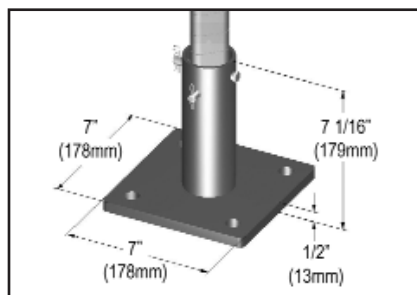
SAQHD25BP-1



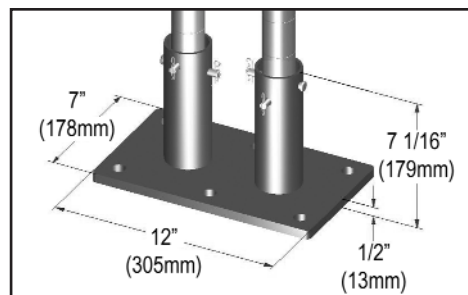
SAQHD25BP-2



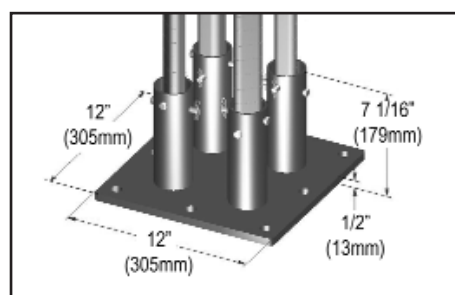
SAQHD25BP-4



SAQHD50BP-1



SAQHD50BP-2

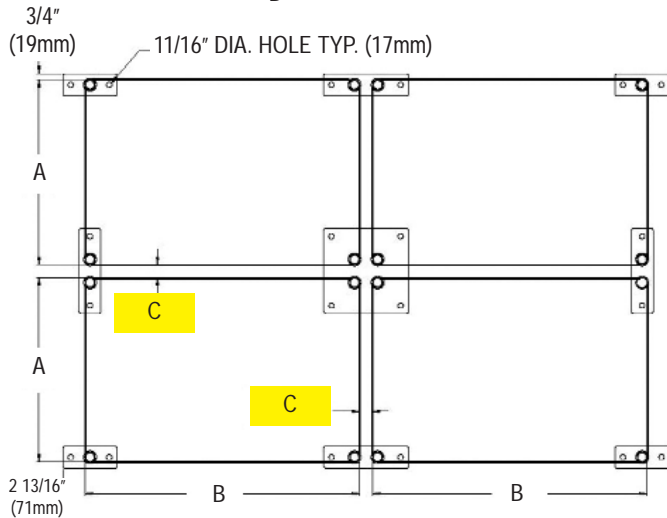
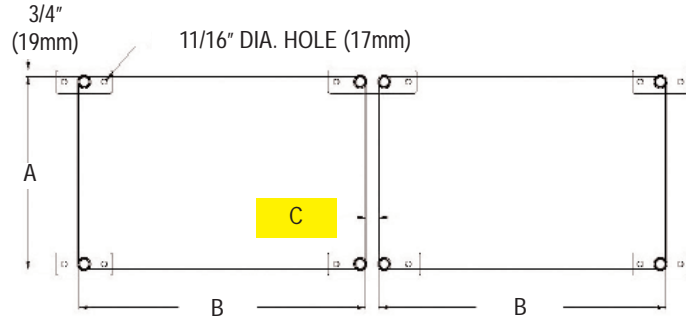
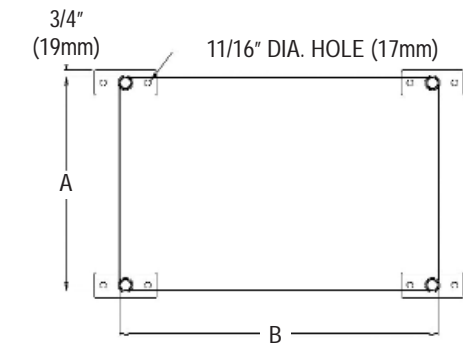


SAQHD50BP-4

# TIM CAMPBELL 800-400-7500

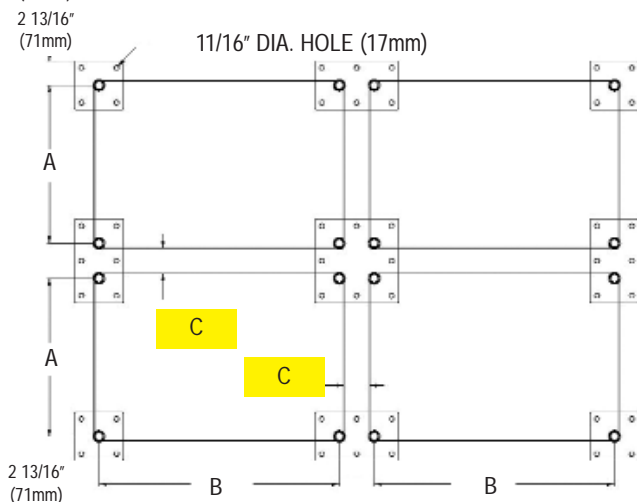
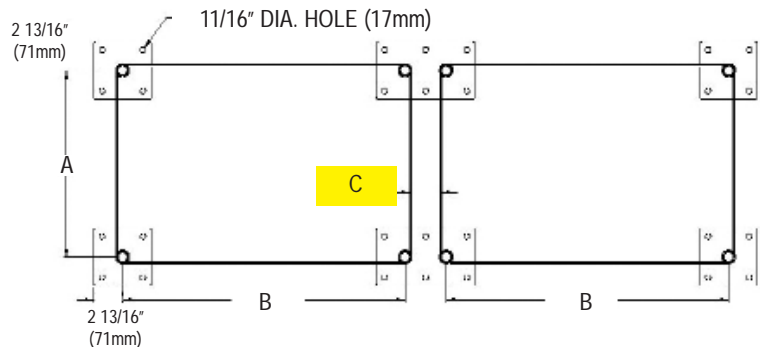
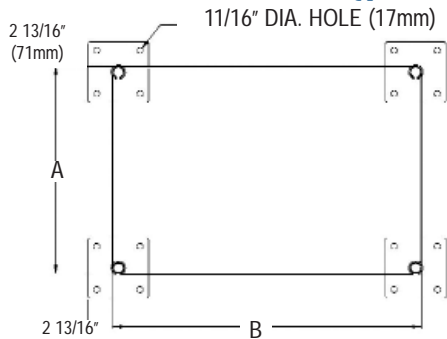
## Typical Layouts/Dimensional Specifications

### 1/4" Bolt Plate Configurations



DIMENSIONS - 1/4" Plate	
<b>DIM.</b>	<b>SES/SASE/QWIKSLOT</b>
A	14" THRU 36" (356mm thru 914mm)
B	23-3/4" THRU 71-3/4" (603mm thru 1822mm)
C	1-11/16" (43mm)
<b>DIM.</b>	<b>METROMAX Q</b>
A	18-7/16" THRU 24-7/16" (468mm thru 621mm)
B	24" THRU 72" (610mm thru 1823mm)
C	3-11/16" (94mm)
<b>DIM.</b>	<b>H.D. SES</b>
A	17-11/16" THRU 23-11/16" (449mm thru 602mm)
B	35-1/2" THRU 59-1/2" (902mm thru 1511mm)
C	3-1/4" (83mm)

### 1/2" Bolt Plate Configurations



DIMENSIONS - 1/2" Plate	
<b>DIM.</b>	<b>SES/SASE/QWIKSLOT</b>
A	14" THRU 36" (356mm thru 914mm)
B	23-3/4" THRU 71-3/4" (603mm thru 1822mm)
C	1-11/16" (43mm)
<b>DIM.</b>	<b>METROMAX Q</b>
A	18-7/16" THRU 24-7/16" (468mm thru 621mm)
B	24" THRU 72" (610mm thru 1823mm)
C	3-11/16" (94mm)
<b>DIM.</b>	<b>H.D. SES</b>
A	17-11/16" THRU 23-11/16" (449mm thru 602mm)
B	35-1/2" THRU 59-1/2" (902mm thru 1511mm)
C	3-1/4" (83mm)

TIM CAMPBELL 800-400-7500

# SEISMIC **APPROVED** SHELVING SYSTEMS

Super Erecta® (SES), Super Adjustable Super Erecta™ (SASE),  
qwikSlot™ (QS), HD Super (HD), MetroMax Q® (Q)



**METRO** Super Adjustable 2

Open wire design minimizes dust accumulation, allows a free circulation of air, provides greater visibility and light penetration.



Super Erecta™  
Shelving



Super Erecta  
qwikSLOT™  
Shelving

- SASE2 - Offers patented shelf release for fast and easy adjustment
- SES - Site select posts for both SES and SASE provide a visual guide for shelf positioning
- QS - Add-A-Shelf or Remove-A-Shelf without disassembling the unit



**METRO**  
MAX Q

**MetroMax Q** - Smooth polymer shelf mats make Q ideal for sterile storage. The added feature of antimicrobial protection keeps the shelf mats cleaner between cleanings. The removable mats make them a snap to clean. Q also has the patented shelf release for fast and easy adjustment.



## HD Super™ Shelving

Heavy duty system features 16-gauge solid shelves in flat or louvered/embossed.

**Approved**  
Fixed Equipment  
Anchorage  
California Office of  
Statewide Health  
Planning and  
Development  
OPA-0556

# METRO SEISMIC SHELVING SOLUTIONS

APPROVED



InterMetro Industries Corporation has been granted seismic approval by the state of California's Office of Statewide Health Planning and Development (OSHPD) for free standing, floor anchored Super Erecta®, Super Adjustable Super Erecta®, qwikSLOT™, HD Super™ and MetroMax Q® shelving units.

These Metro shelving systems underwent rigorous tests to ensure that it would withstand the devastation caused by earthquakes.

As the industry leader in storage and distribution solutions, InterMetro® recognizes the vital importance of disaster preparation. Securing OSHPD approval for freestanding shelving is our way of assisting you in this process. **This approval allows your facility's planning and engineering staff to order standard components already pre-approved and ready for immediate installation.**

## Notes:

1. Metro does not provide the concrete floor anchorage bolts. The pre-approval is only for the specified anchorage in the Specifying Guide (LO4-160). The engineer of record for a site specific job must verify that the building structure is adequate for the applied load.
2. The pre-approval is only for a maximum 30psf and 50psf capacity located in seismic zones 3, 4 and 4 near fault (i.e. less than 2km).
3. A posting stating "Max. Loading 30psf per shelf" is required for each shelving unit where installations require a maximum 30psf capacity.
4. The 5/8" Hilti HDI anchor w/ 2 9/16", (65mm) minimum embedment (not supplied by InterMetro) called for in the Specifying Guide (LO4-160) requires a concrete thickness of at least 3 9/16", (90mm).
5. Weight load capacity per shelf is determined by several variables including shelf size, story location, bolt plate type and seismic zone. Calculated weight capacities range between 70lbs., (31kg) per shelf to 600 lbs. (272kg) per shelf and is not to exceed the standard load capacity of the shelf.