



Item # \_\_\_\_\_

Job \_\_\_\_\_

## SUPER ERECTA® qwikSLOT™ SHELVING

- Reduce operating costs
- Improve efficiency
- Increase flexibility

### Benefits

Super Erecta qwikSLOT shelving is one of the most flexible and adjustable shelving systems available. Incorporating the strength and attractive look of the Super Erecta design, Super Erecta qwikSLOT shelving is the easiest system to assemble and adjust, designed to meet your changing needs.

- **Fast Adjustability:** The unique design of qwikSLOT shelving allows for the addition, removal, or adjustment of intermediate shelves easily in seconds, at 1" increments.
- **Versatile Construction:** Super Erecta qwikSLOT wire shelving can change as your needs change. Use any Super Erecta accessory to create the configuration best suited to your requirements. Shelves can be slanted for gravity flow or merchandising applications.
- **High-Density Storage:** Unique qwikSLOT drop mat shelves are available to maximize vertical storage density, increasing capacity as much as 20%.
- **Attractive:** Available in Super Erecta Brite, providing the look of chrome at less cost. Also available in black, white, smoked glass and 10 designer colors.



### Features

- No tools required for assembly.
- Shelf rests securely on support clips. Raise shelf and move clips to desired post slot to reposition shelf.
- Shelf height can be adjusted in one inch increments.
- Shelves can be slanted.
- High density qwikSLOT Drop Mat shelves are available.
- Use any Super Erecta shelving accessory.
- Available in Super Erecta Brite™ finish, the look of chrome at less cost.
- Available in 3 standard and 10 designer colors.
- Optional casters can be added for mobile units.
- Each qwikSLOT shelf is rated at 300 lb. (135 kg) load capacity.



# Dimensions

## qwikSLOT™ Shelves

Width (in.)	(mm)	Length (in.)	(mm)	Approx. Pkd. Wt. (lbs.) (kg)		Cat. No. Super Erecta Brite	Cat. No. Chrome	Cat. No. Black	Cat. No. White	Cat. No. Smoked Glass	Cat. No. Designer Colors*
14	355	36	910	7.25	3.2	1436QBR	1436QC	1436QBL	1436QW	1436Q-DSG	1436Q-D
14	355	48	1220	9.75	4.3	1448QBR	1448QC	1448QBL	1448QW	1448Q-DSG	1448Q-D
18	455	36	910	8.5	3.8	1836QBR	1836QC	1836QBL	1836QW	1836Q-DSG	1836Q-D
18	455	48	1220	11.25	5.0	1848QBR	1848QC	1848QBL	1848QW	1848Q-DSG	1848Q-D
18	455	60	1525	17.0	8.6	1860QBR	—	—	—	—	—
21	530	36	910	10.75	4.8	2136QBR	2136QC	2136QBL	2136QW	2136Q-DSG	2136Q-D
21	530	48	1220	13.25	5.9	2148QBR	2148QC	2148QBL	2148QW	2148Q-DSG	2148Q-D
21	530	60	1525	16.0	7.5	2160QBR	—	—	—	—	—
24	610	36	910	12.25	5.5	2436QBR	2436QC	2436QBL	2436QW	2436Q-DSG	2436Q-D
24	610	48	1220	15.25	6.8	2448QBR	2448QC	2448QBL	2448QW	2448Q-DSG	2448Q-D
24	610	60	1525	21.00	9.5	2460QBR	—	—	—	—	—

**Important Notes:**

**Note 1.** A typical unit will incorporate 4 qwikSLOT posts, at least 2 standard Super Erecta shelves (one at the top and bottom of unit) and as many qwikSLOT shelves as desired between the top and bottom shelf.

**Note 2.** A qwikSLOT shelf is rated at 300 lbs. (135 kg) per shelf. A typical qwikSLOT unit is rated at 800 lbs. (375 kg) capacity per unit. For higher unit capacities, an intermediate standard Super Erecta shelf must be installed approximately at mid-height on the unit.

**Note 3.** Mobile Applications: All mobile applications require an intermediate standard Super Erecta shelf installed approximately at mid-height on the unit.

## qwikSLOT™ Posts

Height† (in.)	(mm)	Approx. Pkd. Wt. (lbs.) (kg)		Cat. No. Super Erecta Brite	Cat. No. Black	Cat. No. White	Cat. No. Smoked Glass	Cat. No. Designer Colors*
34 1/2	875	2	0.9	33PQ	33PQBL	33PQW	33PQ-DSG	33PQ-D
54 9/16	1385	3	1.4	54PQ	54PQBL	54PQW	54PQ-DSG	54PQ-D
62 9/16	1590	3 1/2	1.6	63PQ	63PQBL	63PQW	63PQ-DSG	63PQ-D
74 5/8	1895	4	1.8	74PQ	74PQBL	74PQW	74PQ-DSG	74PQ-D
86 5/8	2200	5	2.3	86PQ	86PQBL	86PQW	86PQ-DSG	86PQ-D

† Height includes leveling bolt and cap.

## qwikSLOT™ Posts for Stem Casters

Height† (in.)	(mm)	Approx. Pkd. Wt. (lbs.) (kg)		Cat. No. Plated	Cat. No. Black	Cat. No. White	Cat. No. Smoked Glass	Cat. No. Designer Colors*
33 7/8	861	2	0.9	33UPQ	33UPQBL	33UPQW	33UPQ-DSG	33UPQ-D
54	1370	3	1.4	54UPQ	54UPQBL	54UPQW	54UPQ-DSG	54UPQ-D
62	1575	3 1/2	1.6	63UPQ	63UPQBL	63UPQW	63UPQ-DSG	63UPQ-D
74	1880	4	1.8	74UPQ	74UPQBL	74UPQW	74UPQ-DSG	74UPQ-D
86	2185	5	2.3	86UPQ	86UPQBL	86UPQW	86UPQ-DSG	86UPQ-D

These posts come without leveling bolt assembly to accommodate stem casters.

## Top/Bottom Shelves (Standard Super Erecta®)

Width (in.)	(mm)	Length (in.)	(mm)	Approx. Pkd. Wt. (lbs.) (kg)		Cat. No. Super Erecta Brite	Cat. No. Chrome	Cat. No. Black	Cat. No. White	Cat. No. Smoked Glass	Cat. No. Designer Colors*
14	355	36	910	8	3.6	1436BR	1436NC	1436NBL	1436NW	1436N-DSG	1436N-D
14	355	48	1220	10 1/2	4.7	1448BR	1448NC	1448NBL	1448NW	1448N-DSG	1448N-D
18	455	36	910	9 1/2	4.3	1836BR	1836NC	1836NBL	1836NW	1836N-DSG	1836N-D
18	455	48	1220	12	5.4	1848BR	1848NC	1848NBL	1848NW	1848N-DSG	1848N-D
18	455	60	1525	17	7.7	1860BR	1860NC	1860NBL	1860NW	1860N-DSG	1860N-D
21	530	36	910	11	5.0	2136BR	2136NC	2136NBL	2136NW	2136N-DSG	2136N-D
21	530	48	1220	14	6.4	2148BR	2148NC	2148NBL	2148NW	2148N-DSG	2148N-D
21	530	60	1525	18	8.2	2160BR	2160NC	2160NBL	2160NW	2160N-DSG	2160N-D
24	610	36	910	13	5.9	2436BR	2436NC	2436NBL	2436NW	2436N-DSG	2436N-D
24	610	48	1220	16	7.3	2448BR	2448NC	2448NBL	2448NW	2448N-DSG	2448N-D
24	610	60	1525	21	9.5	2460BR	2460NC	2460NBL	2460NW	2460N-DSG	2460N-D

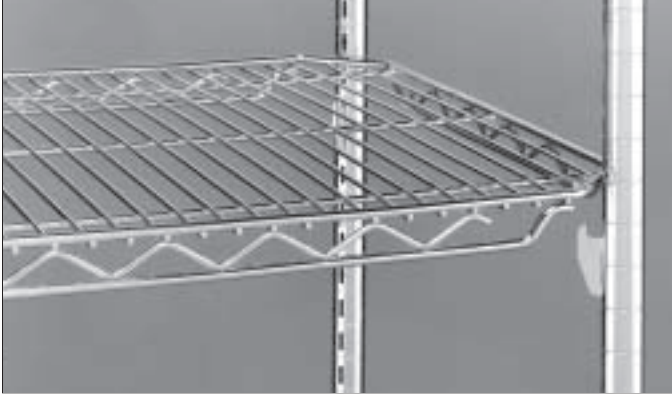
**Important Notes:**

**Note 1.** With 14" (355mm) shelving, foot plates must be used on freestanding units; on mobile units, maximum post height is 54" (1370mm).

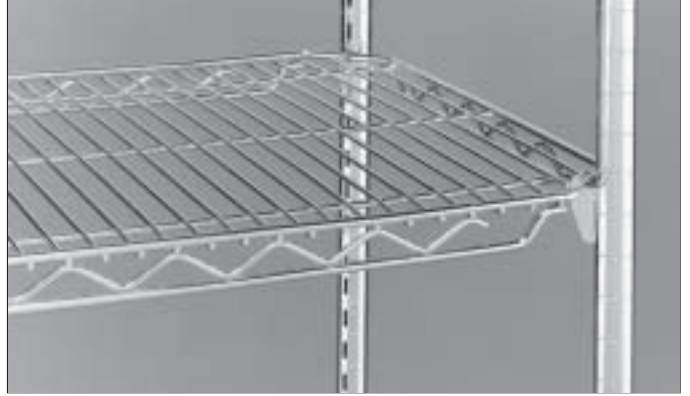
**Note 2.** 14" (455mm) wide shelving is not recommended for use with posts higher than 74" (1880mm).

\* When ordering special colors, add the appropriate suffix from the following list after the "D" at the end of the catalog number.

Hunter Green — HG	Copper Hammertone — CH	Flame — F	Teal — TE	Cloud Gray — CG
Silver Hammertone — SH	Ruby — RB	Sapphire — SP	Wine — WN	Black Matte — BM



*Posts are slotted at 1" (25mm) increments to accommodate clips.*



*Shelf rests securely on clips. Simply raise shelf and move clips to desired slot to reposition shelf.*



**Standard qwikSLOT Shelving**



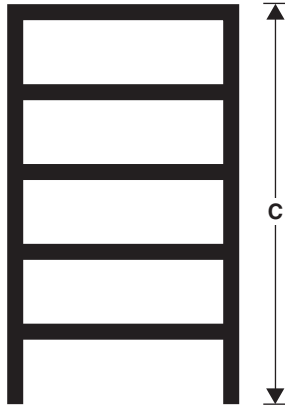
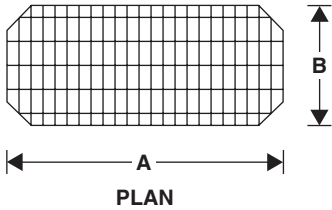
**Mobile Application**

*Super Erecta stem casters can be added to a unit to provide mobility. All mobile applications require a standard Super Erecta shelf to be installed approximately mid-height on the unit.*



Super Erecta®  
qwikSLOT™ SHELVING

Dimensions



**A** = Nominal shelf length.  
**B** = Nominal shelf width.  
 (The actual length of the shelves is 1/8" shorter than the nominal dimension shown)

C =	Post No.	(in.)	(mm)
	33PQ		
	54PQ	54 9/16	1385
	63PQ	62 9/16	1590
	74PQ	74 5/8	1895
	86PQ	86 5/8	2200

Specifications

- 1. General:** Storage system shall be the type commercially designated as Super Erecta qwikSLOT, manufactured by InterMetro Industries Corporation.
- 2. Materials:** Shelves shall be made of: a) carbon steel, Super Erecta Brite zinc chromate finish, with a final clear coating; b) nickel-chrome finish with a final clear coating; c) epoxy coated in a Metro standard or designer color.
- 3. Shelves:** The shelves have corrugated reinforcing on all four sides. The front and back reinforcing members consist of a 1/4" diameter wire upper rib; another 1/4" diameter wire parallel rib located approximately 1 5/16" below it, and a corrugated truss of either #7 gauge or #5 gauge wire, depending on shelf size, placed between the two 1/4" diameter wires on the bottom. The construction of the two side reinforcing members are similar with the exceptions that the bottom 1/4" diameter wire is 1 3/16" below the top wire and that the corrugated truss is alternately welded directly to the 1/4" diameter wires. Depending on the width and length of the shelf it may have corrugated reinforcing in the interior of the shelf running the length of the shelf. On the 14" and 18" width in lengths of 60" and 72"; on the 21" width in lengths of 24", 30", 36", 42", 48", 60" and 72" and on the 24" width in lengths of 24", 30", 36", 42", 48", and 60" — all have one interior member. On the 24" width in the length of 72" there are two interior members. These interior

members consist of the #6 gauge support rib previously mentioned with a 1/4" diameter wire parallel rib located approximately 1 5/32" below it, and a corrugated truss of either #7 gauge or #5 gauge wire, depending on shelf size, placed between the #6 gauge and the 1/4" diameter wire and alternately welded to them.

- 4. Posts:** The vertical support posts are 1" outside diameter. They are ringed with rolled grooves 1" apart along their length. They have a key slot hole 1" apart between each rolled groove. The top of the post is capped with a plastic closure, and at the base of the post, for stationary applications, there is a cast foot with an adjustable bolt.
- 5. Assembly Method:** No tools are required for assembly. For qwikSLOT shelves, a shelf support clip is installed in the desired key slot on each post. The given shelf rests securely in the support clips. For standard Super Erecta Shelves, assembly consists of a tapered sleeve which, when snapped around a post at the desired shelf location, creates a fastening effect between an internal bead in the tapered sleeve and the groove in the post. The remittent tapered surface is contacted by the matching tapered surface within each shelf corner, with increasing shelf loads adding to the securing effect.