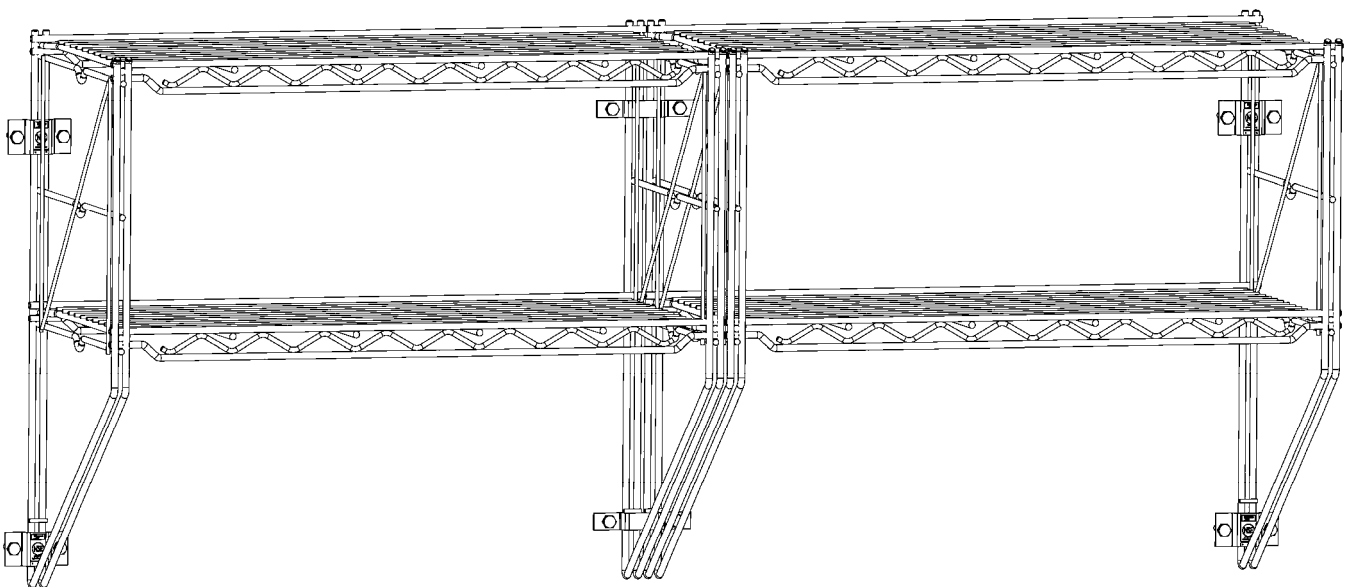


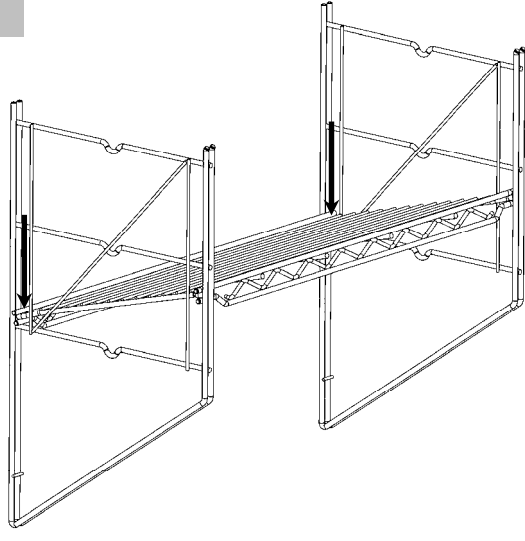
SINGLE SECTION UNIT



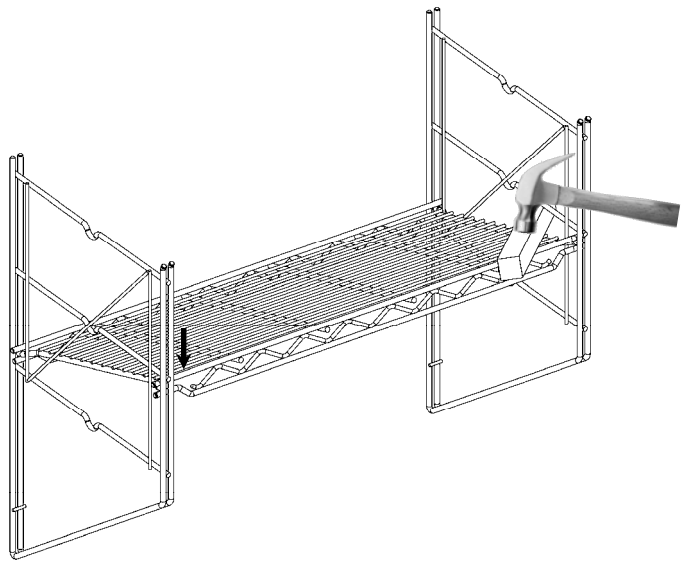
MULTI SECTION UNIT



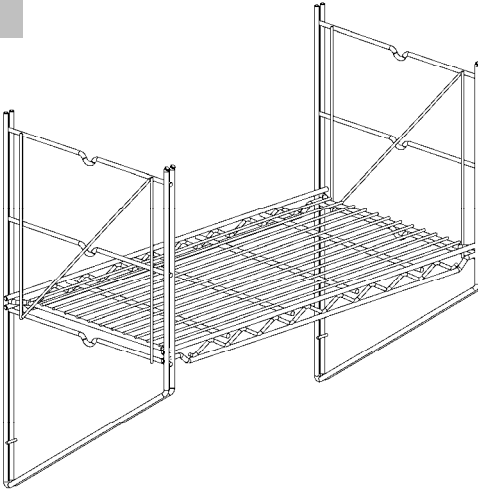
1



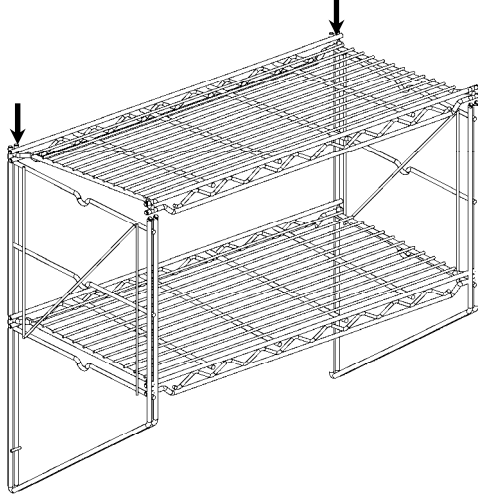
2



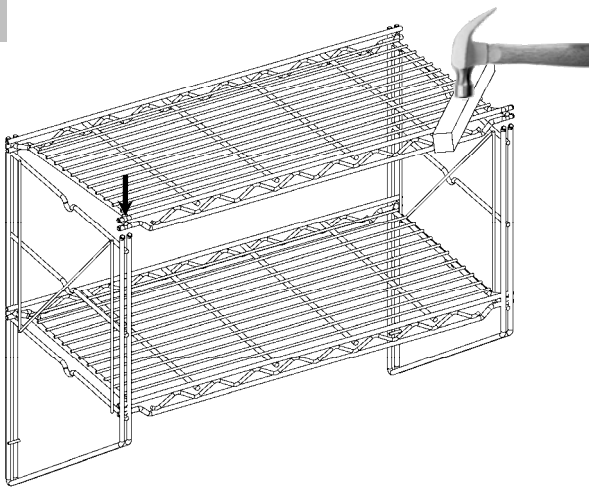
3



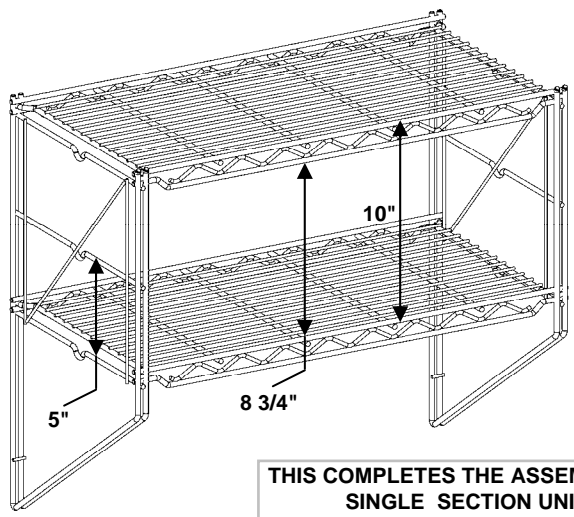
4



5



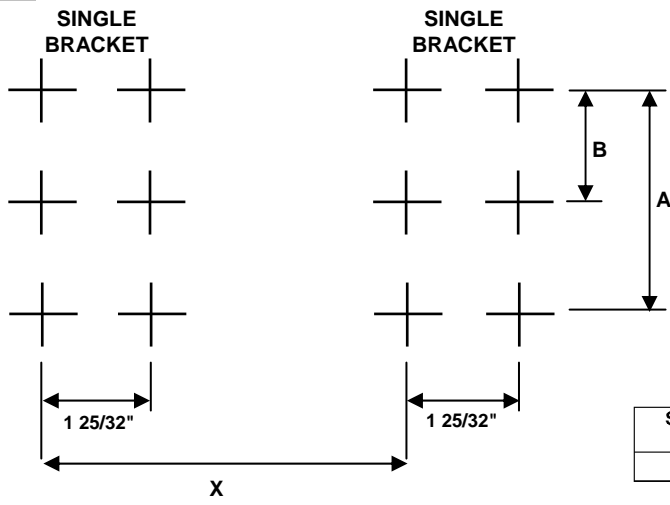
6



THIS COMPLETES THE ASSEMBLY OF SINGLE SECTION UNIT



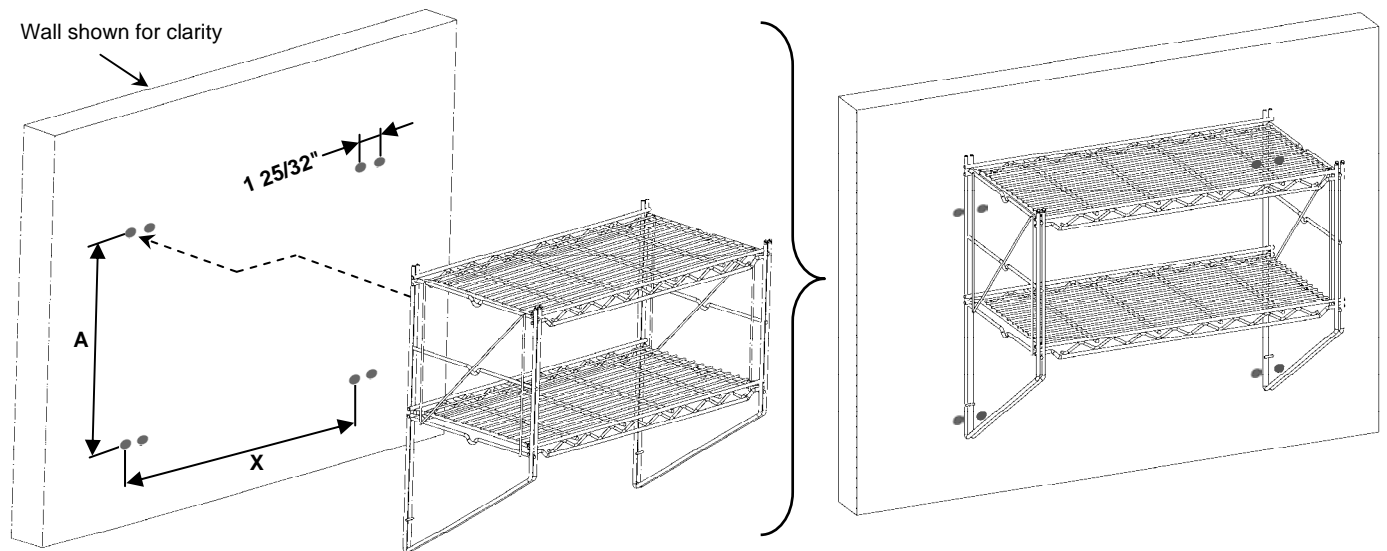
7 Mounting Hole Location Diagram



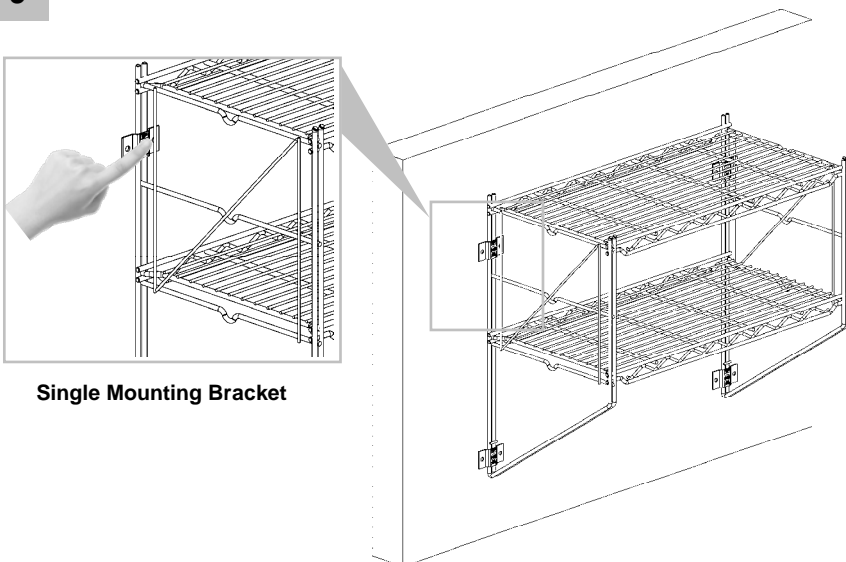
Number of Tiers	A	B
1	6 ⁵ / ₈	-
3	15 ¹³ / ₁₆	-
5	25 ³ / ₈	11 ¹ / ₄

Shelf Size	24	30	36	42	48	60
X	22 ²⁹ / ₃₂	28 ²⁹ / ₃₂	34 ²⁹ / ₃₂	40 ²⁹ / ₃₂	46 ²⁹ / ₃₂	58 ²⁹ / ₃₂

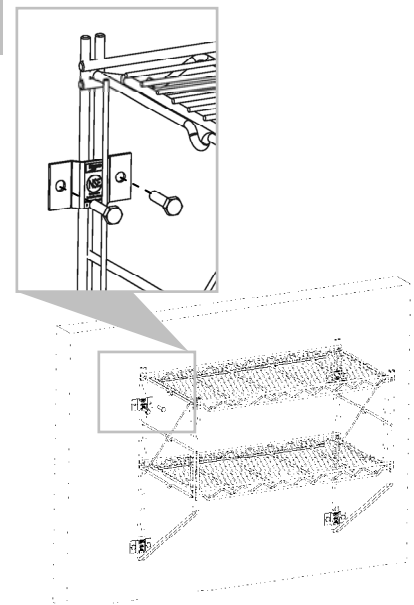
8 Mark the Mounting Holes and Position the Shelf



9

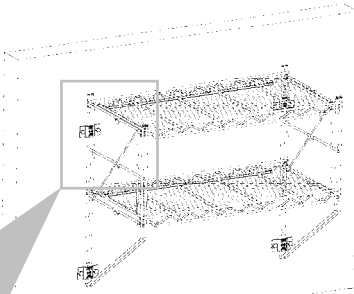
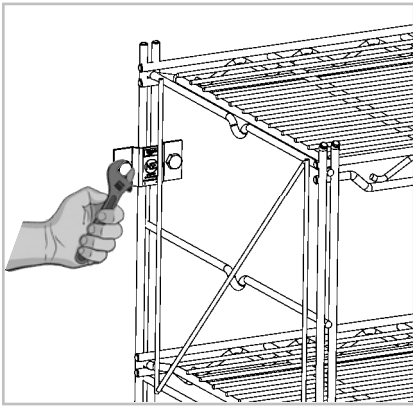


10

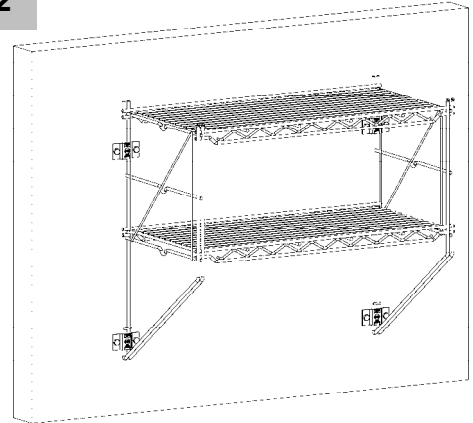




11



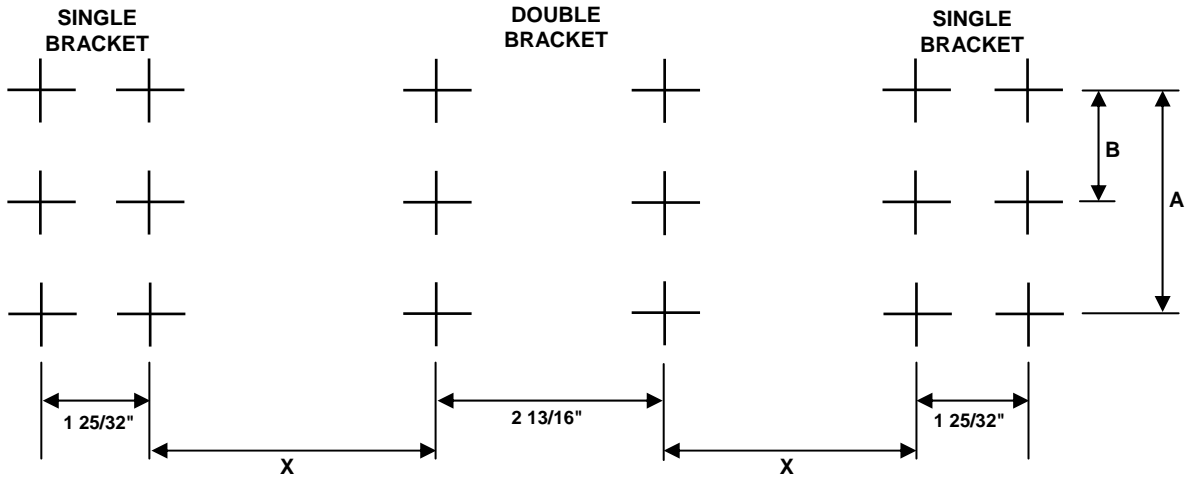
12



THIS COMPLETES THE MOUNTING OF SINGLE SECTION UNIT



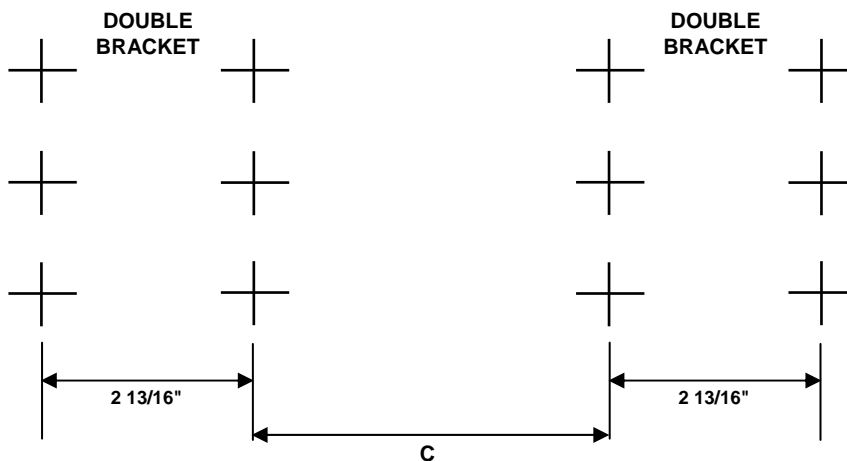
1 Mounting Hole Location Diagram



Number of Tiers	A	B
1	$6\frac{5}{8}$	-
3	$15\frac{13}{16}$	-
5	$25\frac{3}{8}$	$11\frac{1}{4}$

Shelf Size	24	30	36	42	48	60
X	$21\frac{1}{32}$	$27\frac{1}{32}$	$33\frac{1}{32}$	$39\frac{1}{32}$	$45\frac{1}{32}$	$57\frac{1}{32}$

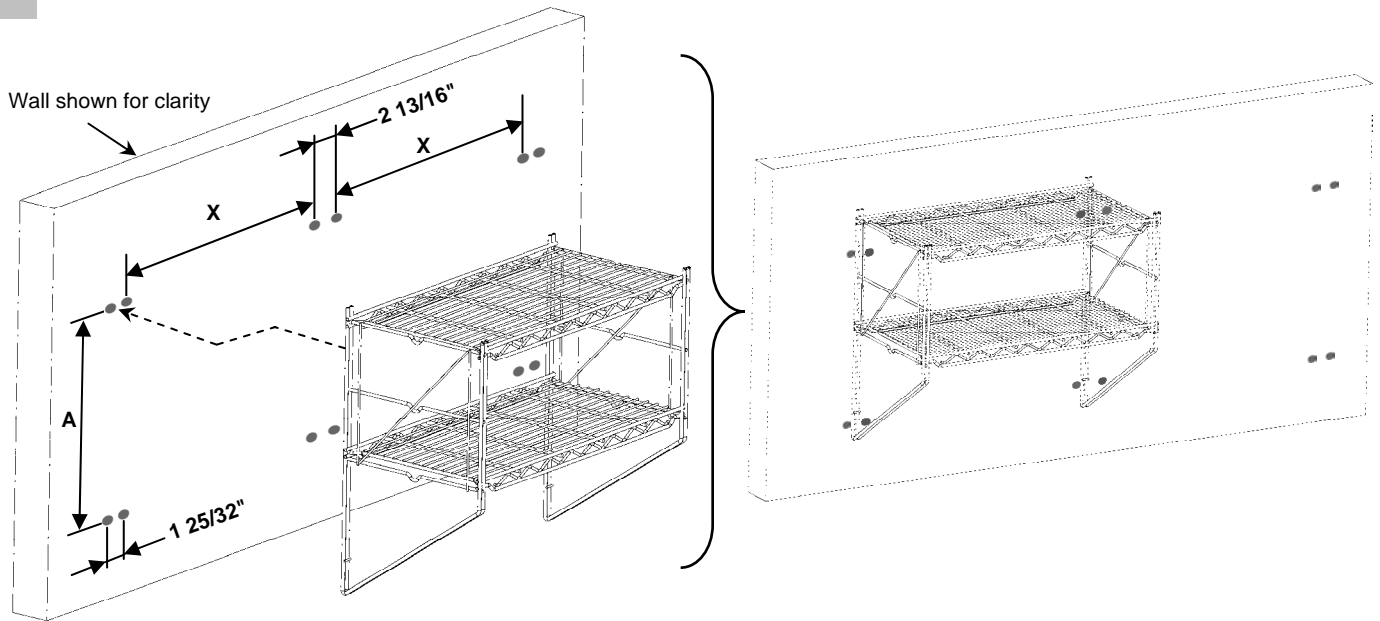
1-1 Additional Shelves Mounting Hole Location Diagram



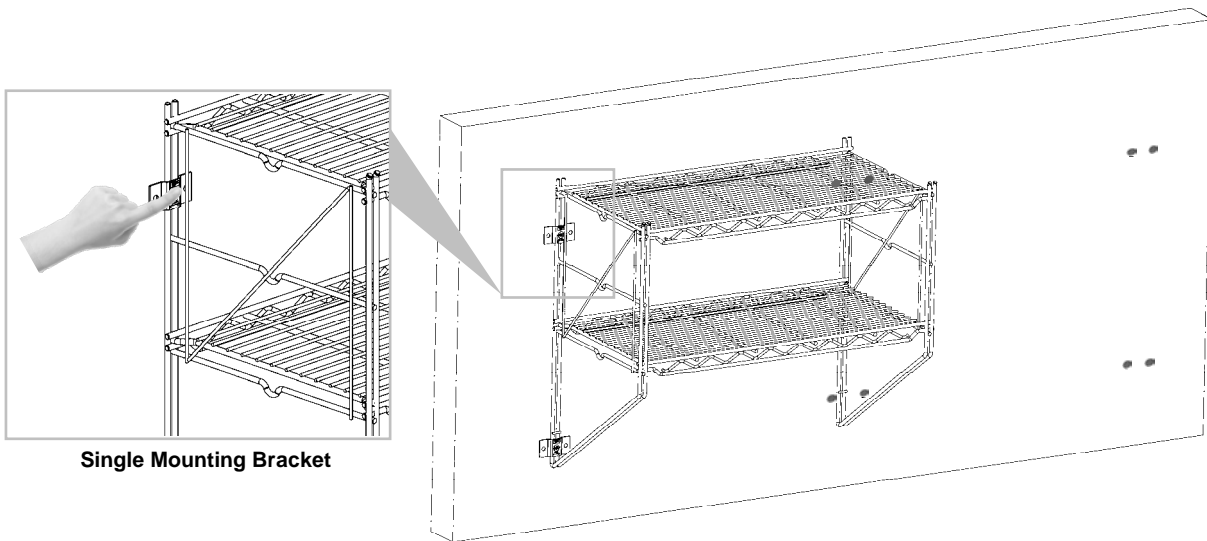
Shelf Size	24	30	36	42	48	60
C	$20\frac{15}{16}$	$26\frac{15}{16}$	$32\frac{15}{16}$	$38\frac{15}{16}$	$44\frac{15}{16}$	$56\frac{15}{16}$



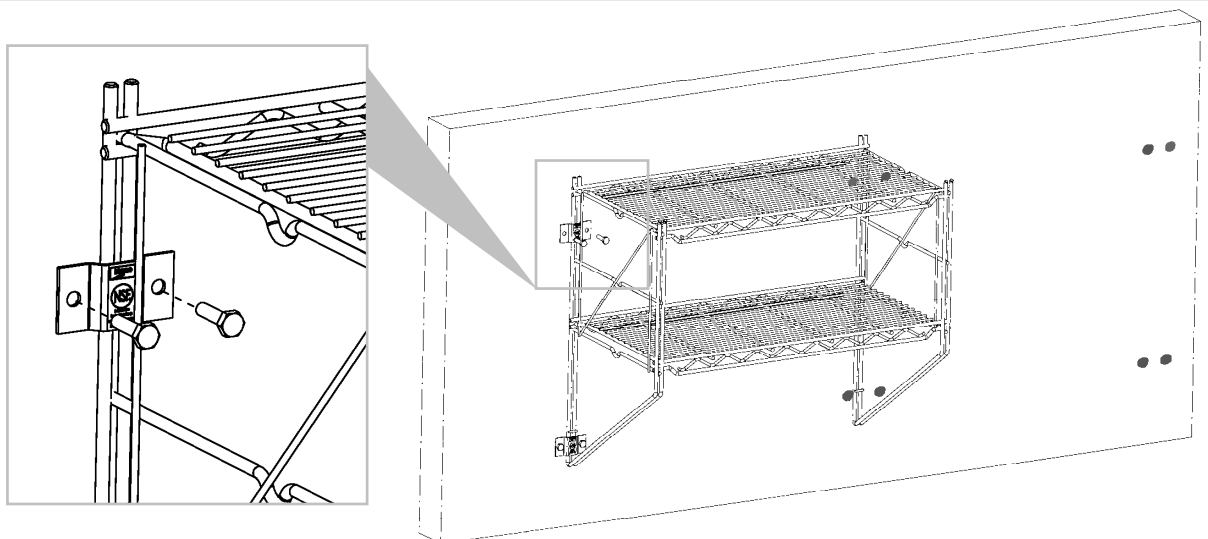
2 Mark Mounting Holes and Position the Shelf



3

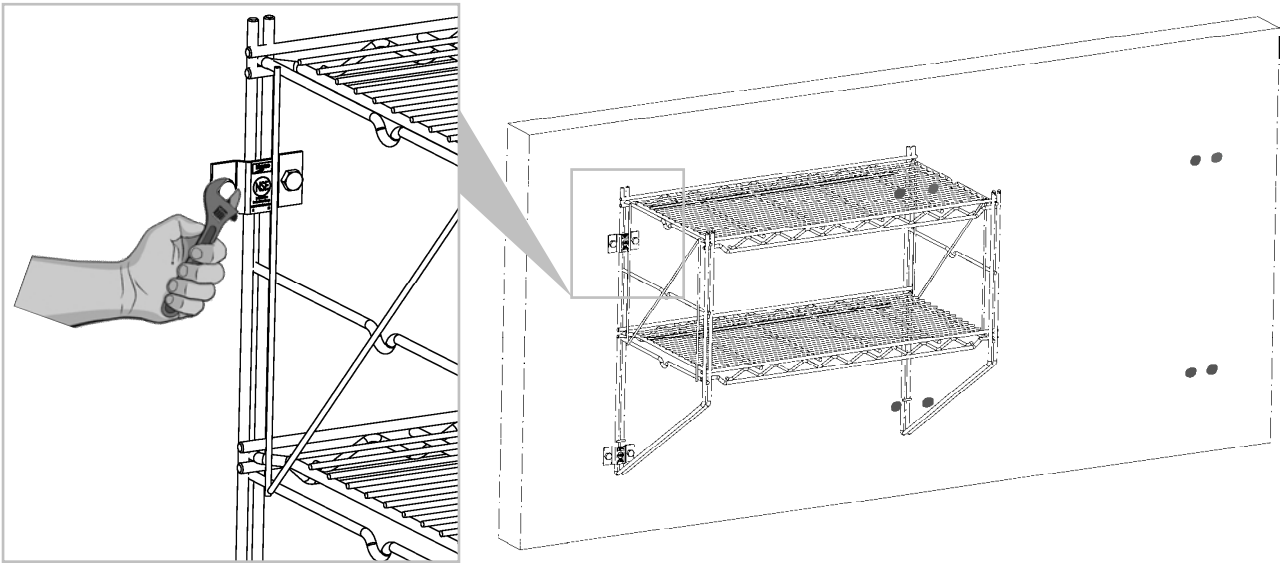


4



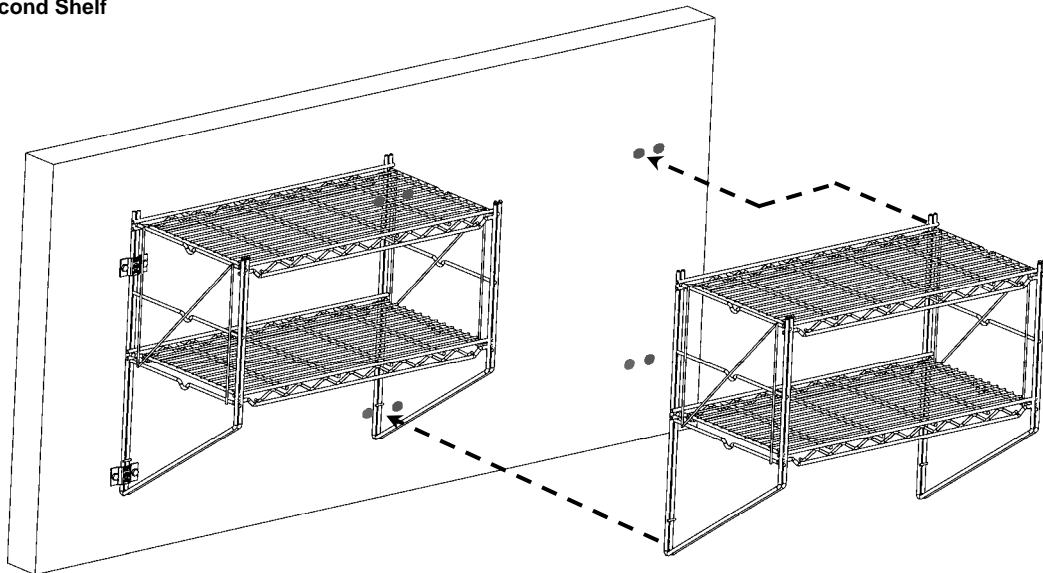


5



6

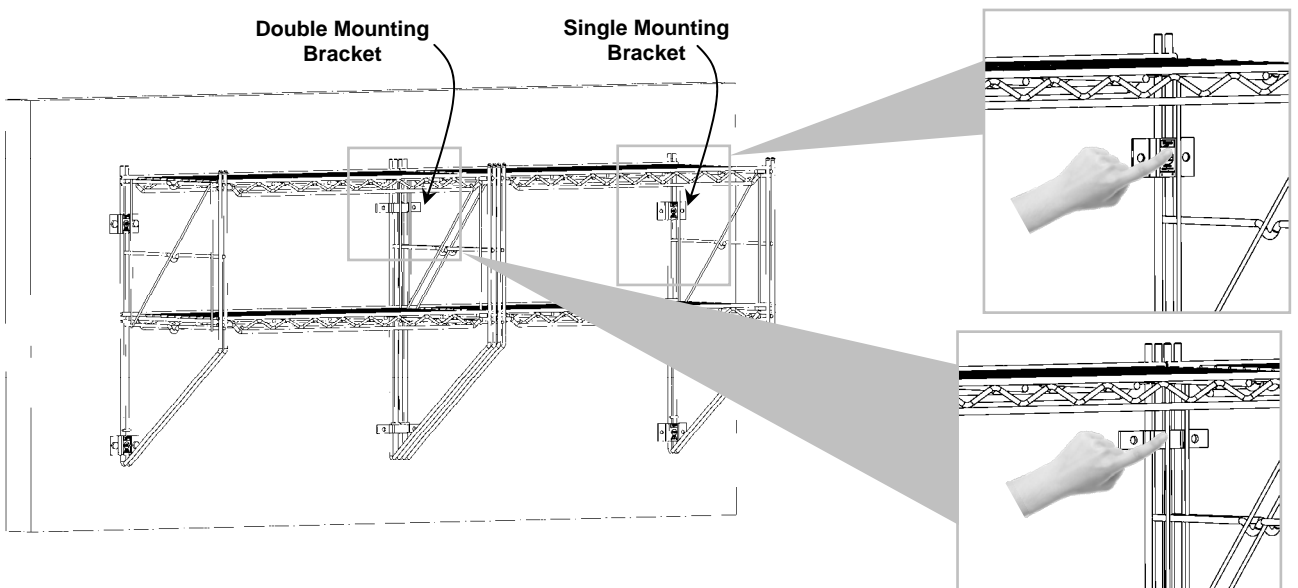
Position the Second Shelf



7

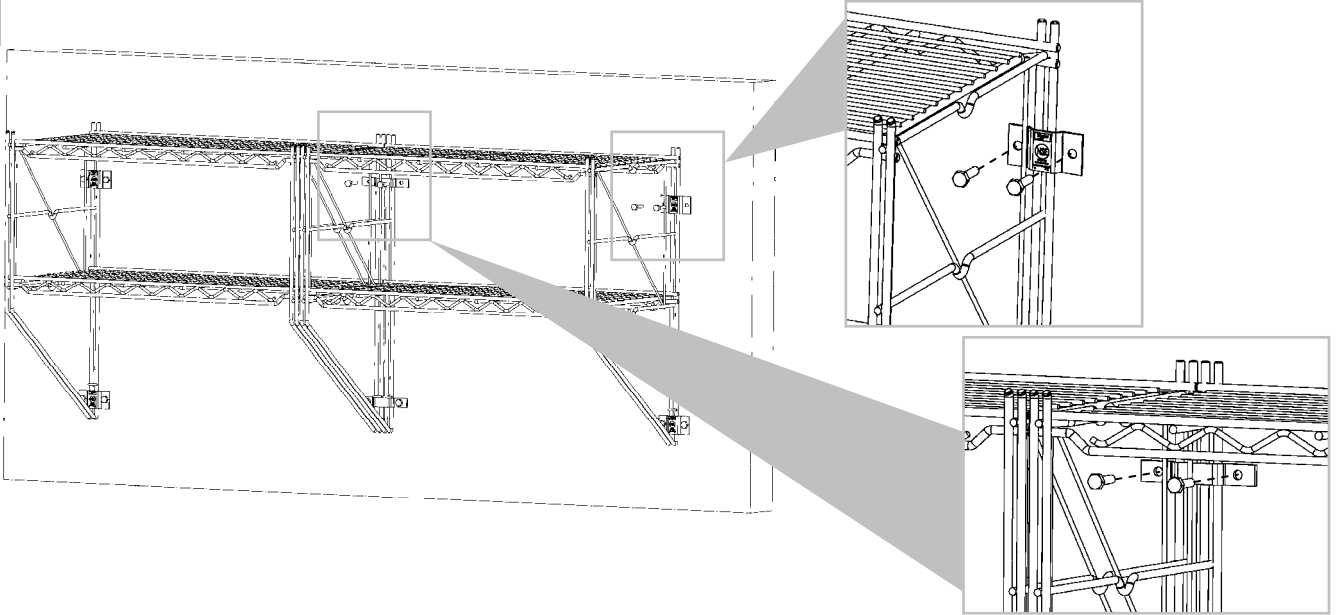
Double Mounting Bracket

Single Mounting Bracket

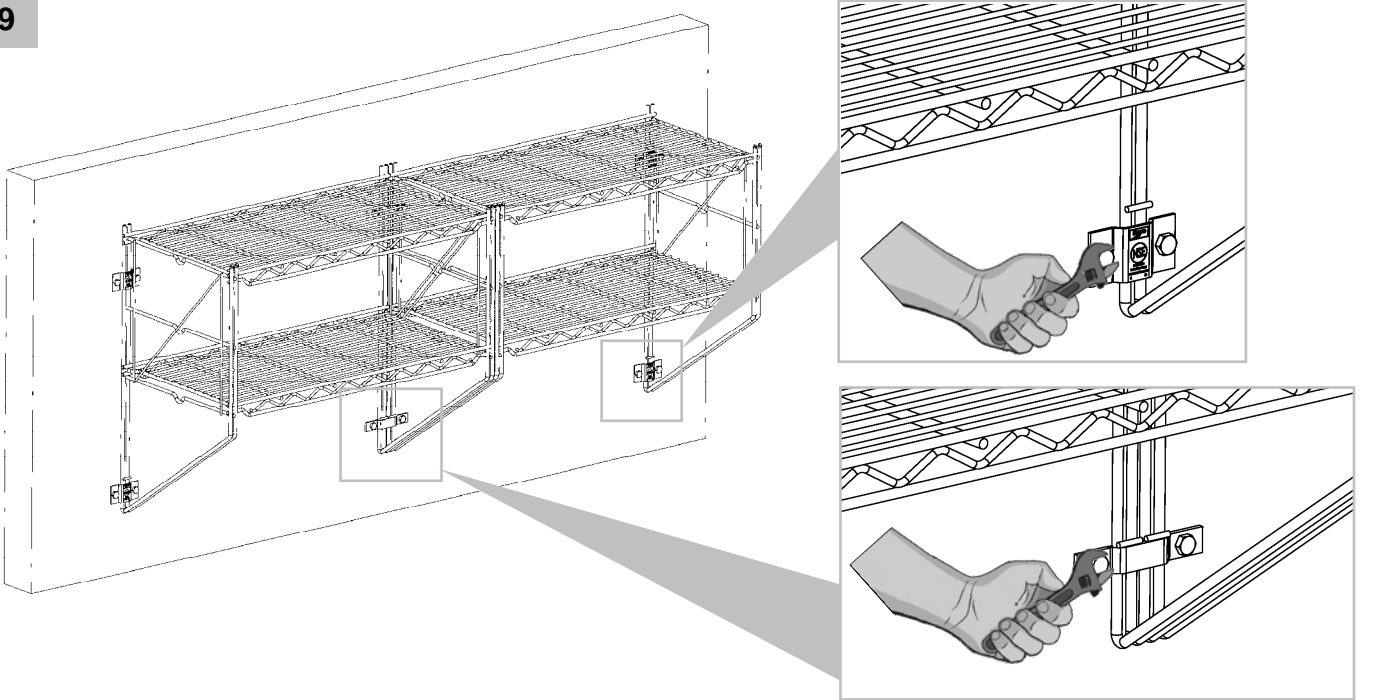




8

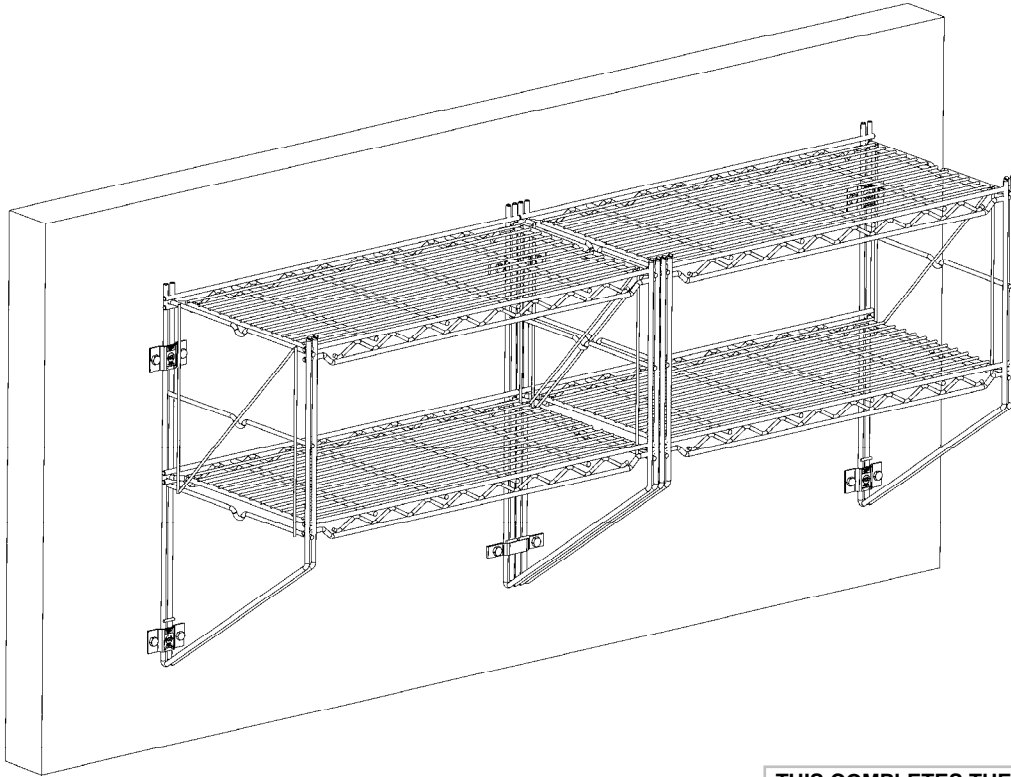


9





10



**THIS COMPLETES THE MOUNTING OF
MULTI SECTION UNIT**