



Item# \_\_\_\_\_

Job \_\_\_\_\_



MFH0030/10

## METRO FLEX™ ISOLATION CARTS

### Advanced Polymer Design

**MetroFlex™ is constructed of an advanced polymer material that is solid and rugged, so it will endure tough challenges day in and day out. And because it will not rust, corrode, dent, flake, chip or peel, it will provide you with years of reliable service, and perform longer than any conventional metal cart.**

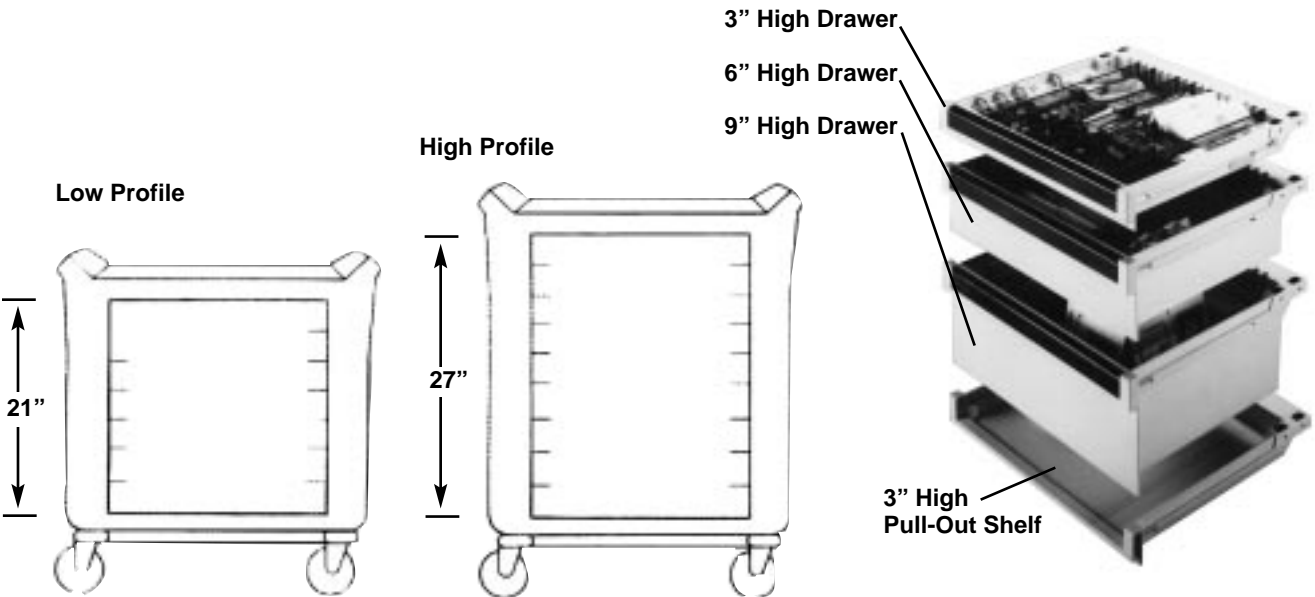
- **Flexible:** MetroFlex Isolation Carts allow you to mix and match accessories and drawer configurations to meet your specific departmental needs. Choose from four standard models or build a cart from MetroFlex components.
- **Systems Oriented Approach:** The MetroFlex system allows you to buy into a system of cart shells, drawers, and accessories that can be configured and reconfigured at any time to adapt to your changing needs.
- **Organization/Identification:** A vast array of specific isolation accessories attach easily to overhead rails, recessed storage areas, and in drawers.
- **Drawer Accessories:** MetroFlex drawers can be fitted with divider kits for organization of medium to large supplies.
- **Recessed Storage Accessories:** Sides of carts provide a recessed protected area to accept tilt-out bins for storage of masks and gloves.
- **Cleans Easily:** Smooth, stain-resistant surfaces with rounded corners make cleaning easy. Solid polymers will not chip, peel, corrode, or fade from extensive wipe downs. Drawers remove without tools so they can be thoroughly cleaned inside and out.
- **Durable:** Cart shells and drawers are constructed of advanced polymers that are solid and rugged for years of durability. Cart will not rust, corrode, dent, flake or chip.
- **Easily Mobile:** Lightweight polymer construction, built-in hand grips, and 5" (127mm) non-marring poly casters – two with brakes, make maneuverability easy.
- **Appropriate Security:** Thumb-activated latch/lock system secures drawers in seconds. Hole in latch/lock accepts security seal or pad lock.
- **Identifiable:** Six colors of I.D. label strips easily identify carts for different applications. Clear plastic strips protect labels from damage while cleaning drawers.



# METRO FLEX™ ISOLATION CARTS

## DIMENSIONS:

Cat. No.	Drawers	Utility Pole	Tilt-Out Bins	6"/9" Drawer Divider Kit	Height		Width		Depth		Weight	
					(in.)	(mm)	(in.)	(mm)	(in.)	(mm)	(lbs.)	(kg)
MFH0030I10	Three - 9"	X			41.5	1054	33 <sup>3</sup> / <sub>4</sub>	857	22	559	85	39
MFH0030I15	Three - 9"	X	X	X	41.5	1054	33 <sup>3</sup> / <sub>4</sub>	857	22	559	85	39



**Build-A-Cart:** The ultimate flexibility of the MetroFlex™ system allows you to build a cart to your exact specifications, if the nine standard models don't meet your needs. The above schematic shows a low-profile cart shell with 21" of available space, and a high-profile cart with 27" of available space. The 3", 6", and 9" high drawers, as well as the 3" high pull-out shelf, fit

into the cart bodies in any combination. For example, one combination for the low profile cart with 21" of available drawer/shelf space would be: two 3" drawers, one 6" drawer, and one 9" drawer. The combination totals 21"

**Please note:** Bottom spaces of carts accept only 6" and 9" drawers.

**NOTE:** Yellow ochre label strips are standard with isolation carts.